

Resistance thermometers and thermocouples, models TRxx, TCxx EN

Widerstandsthermometer und Thermoelemente, Typen TRxx, TCxx DE

Sondes à résistance et thermocouples, types TRxx, TCxx FR

Termorresistencias y termopares, modelos TRxx, TCxx ES



Examples/Beispiele/Exemples/Ejemplos

EN Operating instructions models TRxx and TCxx Page 3 - 38

DE Betriebsanleitung Typen TRxx und TCxx Seite 39 - 74

FR Mode d'emploi types TRxx et TCxx Page 75 - 110

ES Manual de instrucciones modelos TRxx y TCx Página 111 - 145

Further languages can be found at www.wika.com

© 06/2010 WIKA Alexander Wiegand SE & Co. KG
All rights reserved. / Alle Rechte vorbehalten.
WIKA® is a registered trademark in various countries.
WIKA® ist eine geschützte Marke in verschiedenen Ländern.

Prior to starting any work, read the operating instructions!
Keep for later use!

Vor Beginn aller Arbeiten Betriebsanleitung lesen!
Zum späteren Gebrauch aufbewahren!

Lire le mode d'emploi avant de commencer toute opération !
A conserver pour une utilisation ultérieure !

¡Leer el manual de instrucciones antes de comenzar cualquier trabajo!
¡Guardar el manual para una eventual consulta!

Contents

1. General information	4
2. Safety	6
3. Transport, packaging and storage	9
4. Design and function	10
5. Commissioning and operation	12
6. Faults	26
7. Maintenance, cleaning and calibration	28
8. Dismounting, return and disposal	30
9. Specifications	33
10. Accessories	37

Declarations of conformity can be found online at www.wika.com.

1. General information

Models concerned:

- ▶ These operating instructions are valid for a wide range of products. For an exact list of these models, see chapter 9 “Specifications”.

EN

1. General information

- The instrument described in the operating instructions has been designed and manufactured using state-of-the-art technology. All components are subject to stringent quality and environmental criteria during production. Our management systems are certified in accordance with ISO 9001 and ISO 14001.
- These operating instructions contain important information on handling the instrument. Working safely requires that all safety instructions and work instructions are observed.
- Observe the relevant local accident prevention regulations and general safety regulations for the instrument's range of use.
- The operating instructions are part of the product and must be kept in the immediate vicinity of the instrument and readily accessible to skilled personnel at any time. Pass the operating instructions on to the next operator or owner of the instrument.
- Skilled personnel must have carefully read and understood the operating instructions prior to beginning any work.
- In case of a different interpretation of the translated and the English operating instructions, the English wording shall prevail.
- In this document, the generic masculine is used for better readability. Female and other gender identities are explicitly included.
- If available, the provided supplier documentation is also considered to be part of the product in addition to these operating instructions.
- The general terms and conditions contained in the sales documentation shall apply.
- Subject to technical modifications.
- Further information:
 - Internet address: www.wika.de / www.wika.com
 - Relevant data sheet: see chapter 9 “Specifications”
 - Contact: Tel.: +49 9372 132-0
info@wika.de

14150915.08 04/2024 EN/DE/FR/ES

1. General information

EN

1.1 Abbreviations, definitions

■	Bullet
▶	Instruction
1. ... x.	Follow the instruction step by step
⇒	Result of an instruction
→	See ... cross-references
RTD	Resistance Temperature Detector
TR	Resistance Thermometer
TC	Thermocouple
MIMS cable	Mineral-insulated metal-sheathed cable

1.2 Explanation of symbols



WARNING!

... indicates a potentially dangerous situation that can result in serious injury or death, if not avoided.



CAUTION!

... indicates a potentially dangerous situation that can result in light injuries or damage to property or the environment, if not avoided.



DANGER!

... identifies hazards caused by electrical power. Should the safety instructions not be observed, there is a risk of serious or fatal injury.



WARNING!

... indicates a potentially dangerous situation that can result in burns, caused by hot surfaces or liquids, if not avoided.



Information

... points out useful tips, recommendations and information for efficient and trouble-free operation.

2. Safety

2.1 Intended use

The thermometers described here are suitable for temperature measurement in industrial applications.

Depending on design, these thermometers can be mounted directly into the process or within a thermowell/protection tube. The designs of the thermowells/protection tubes can be selected as desired, but the operational process data (temperature, pressure, density and flow rate) must be taken into account.

Neither repairs nor structural modifications are permitted, and any would void the guarantee and the respective certification. The manufacturer shall not be responsible for constructional modifications after delivery of the instruments.

The welded parts, process connections, compression fittings, thermowells / protection tubes or cases used must be designed such that they withstand all influencing variables resulting from the process, such as temperature, flow forces, pressure, corrosion, vibration and impacts.

The operator is responsible for selecting the components, the thermometer or thermowell / protection tube, as well as for the selection of their materials, so as to guarantee their safe operation within the plant or machine.

The suitability of the components must be proven by the user, e.g. through a corresponding calculation or testing.

When preparing a quote, WIKA can only give recommendations which are based on our experience in similar applications.

The instrument has been designed and engineered solely for the intended use described here, and may only be used accordingly.

The technical specifications in these operating instructions must be observed, see chapter 9 "Specifications". It is assumed that the instrument is handled properly and within its technical specifications.

The manufacturer shall not be liable for claims of any type based on operation contrary to the intended use.

2.2 Improper use

- Any use beyond or different to the intended use is considered as improper use.
- Refrain from unauthorised modifications to the instrument.
- Do not use this instrument in safety or emergency shutdown devices.

2.3 Personnel qualification



The activities described in these operating instructions may only be carried out by skilled personnel who have the qualifications described below.

Skilled personnel

Skilled personnel, authorised by the operator, are understood to be personnel who, based on their technical training, knowledge of measurement and control technology and on their experience and knowledge of country-specific regulations, current standards and directives, are capable of carrying out the work described and independently recognising potential hazards.

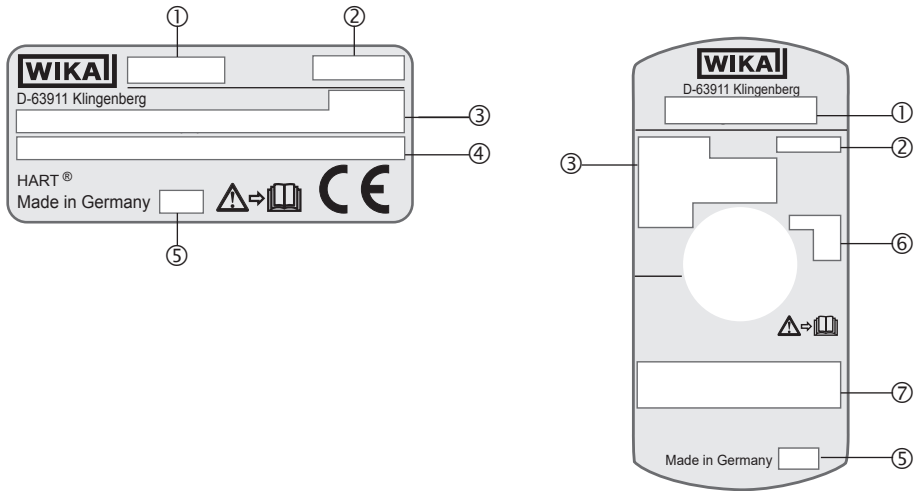
2. Safety

2.4 Labelling, safety markings

The labelling, safety markings must be maintained in a legible condition.

Product label (examples)

EN






- ① Model
- ② Serial number
- ③ Information on version (measuring element, measuring range...)

Sensor in accordance with standard (resistance thermometer)

- FT = Thin-film measuring resistor, sensitive tip

Sensor in accordance with standard (thermocouple)

- ④ Transmitter model (only for design with transmitter)
- ⑤ Year of manufacture
- ⑥ Sensor symbol

- ungrounded  = ungrounded welded
- grounded  = welded to the sheath (grounded)
- quasi grounded  = The thermometer is, due to its low isolation clearances between sensor and sheath, to be considered as grounded.

- ⑦ Approval-related data (non-Ex version = no information)

Symbols



Before mounting and commissioning the instrument, ensure you read the operating instructions!

3. Transport, packaging and storage

3. Transport, packaging and storage

EN

3.1 Transport



CAUTION!

Damage through improper transport

With improper transport, damage to property can occur.

- ▶ When unloading packed goods upon delivery as well as during internal transport, proceed carefully and observe the symbols on the packaging.
- ▶ With internal transport, observe the instructions in chapter 3.2 “Packaging and storage”.

Check the instrument for any damage that may have been caused.

In the event of any damage, do not commission the instrument and contact the manufacturer immediately.

If the instrument is transported from a cold into a warm environment, the formation of condensation may result in instrument malfunction. Prior to recommissioning, wait for the instrument temperature and the room temperature to equalise.

3.2 Packaging and storage

Do not remove packaging until just before mounting.

Keep the packaging as it will provide optimum protection during transport (e.g. change in place of use, sending for repair).

Permissible conditions at the place of storage:

- Storage temperature without built-in transmitter -40 ... +80 °C [-40 ... +176 °F]
- Storage temperature with built-in transmitter: see the operating instructions for the relevant transmitter
- Humidity: 35 ... 85 % relative humidity (non-condensing)

3. Transport, packaging and ... / 4. Design and function

Avoid exposure to the following factors:

- Direct sunlight or proximity to hot objects
- Mechanical vibration, mechanical shock (putting it down hard)
- Soot, vapour, dust and corrosive gases
- Hazardous environments, flammable atmospheres

EN

Store the instrument in its original packaging in a location that fulfils the previously listed conditions. Instruments that have already been commissioned must be cleaned before storage, see chapter 7.2 "Cleaning".

If the original packaging is not available, pack and store the instrument as described below:

1. Place the instrument, along with the shock-absorbent material, in the packaging.
2. If stored for a prolonged period of time (more than 30 days), place a bag containing a desiccant inside the packaging.

4. Design and function

4.1 Scope of delivery

- Instrument model xxx
- Operating instructions
- Ordered calibration certificate
- Ordered accessories

Cross-check scope of delivery with delivery note.

4.2 Description

These resistance thermometers and thermocouples are used for temperature measurement in industrial applications.

This document describes standard versions of instruments. For applications in hazardous areas special instrument designs are required.

For further information for operation in hazardous areas, see the additional information for the corresponding ignition protection type (separate document).

Transmitters or digital indicators built into the thermometer have their own operating instructions.

Model TRxx resistance thermometers consist of a sensor section made of mineral-insulated sheathed cable or welded tube. In both versions, the temperature-sensitive measuring resistor is built into the probe tip.

14150915.08 04/2024 EN/DE/FR/ES

Sensor connection methods

■ 2-wire connection

The lead resistance to the sensor is recorded as an error in the measurement. For this reason, this connection type is not advisable when using Pt100 measuring resistors for accuracy classes A and AA, since the electrical resistance of the connection leads and their own temperature dependency are fully included in the measuring result and thus falsify it.

■ 3-wire connection (standard version)

The influence of the lead resistance is, largely, compensated for. The maximum length of the connection lead depends on the conductor cross-section and the compensation options of the evaluation electronics (transmitter, display, controller or process control system).

■ 4-wire connection

The influence of the connection lead on the measuring result is completely eliminated since any possible asymmetries in the lead resistance of the connection lead are also compensated. The maximum length of the connection lead depends on the conductor cross-section and the compensation options of the evaluation electronics (transmitter, display, controller or process control system). A 4-wire connection can also be used as a 2-wire or 3-wire connection by disconnecting the unnecessary conductors.

→ For further information on the sensor connection methods, see chapter 9 “Specifications” and technical information IN 00.17

Model TCxx thermocouples consist of mineral-insulated sheathed cable. The temperature-sensitive measuring point of the thermocouple is located in the probe tip. The measuring point (welding point) is insulated from the surrounding sheathed cable (standard version).

For specific applications, the measuring point will be welded to the base of the sheathed cable.

→ For further information on the sensor connection types, see chapter 9 “Specifications” and technical information IN 00.23.

5. Commissioning and operation

5. Commissioning and operation

Personnel: skilled personnel

EN



WARNING!

Damage to the measuring instrument by operation outside the upper or lower limits of the operating temperature

Failure to observe the permissible operating temperature, also taking into account convection and radiation, can even cause damage to the thermometer during mounting.

- ▶ The upper and lower limits of the specified operating temperature range must not be exceeded.



WARNING!

Physical injuries and damage to property and the environment caused by hazardous media

Upon contact with hazardous media (e.g. oxygen, acetylene, flammable or toxic substances) or harmful media (e.g. corrosive, toxic, carcinogenic, radioactive), there is a danger of physical injuries and damage to property and the environment.

Hazardous media may adhere to or escape from the instrument should a failure occur.

- ▶ For these media, in addition to all standard regulations, the appropriate existing codes or regulations must also be followed.



WARNING!

Physical injuries and damage to property and the environment caused by hazardous media

Upon contact with hazardous media (e.g. oxygen, acetylene, flammable or toxic substances) or harmful media (e.g. corrosive, toxic, carcinogenic, radioactive), there is a danger of physical injuries and damage to property and the environment.

Should a failure occur, hazardous media with extreme temperatures (over 55 °C [131 °F]) may be present at the instrument.

- ▶ For these media, in addition to all standard regulations, the appropriate existing codes or regulations must also be followed.



WARNING!

Physical injuries and damage to property and the environment caused by hazardous media

Upon contact with hazardous media (e.g. oxygen, acetylene, flammable or toxic substances) or harmful media (e.g. corrosive, toxic, carcinogenic, radioactive), there is a danger of physical injuries and damage to property and the environment.

Should a failure occur, hazardous media under high pressure or vacuum may be present at the instrument.

- ▶ For these media, in addition to all standard regulations, the appropriate existing codes or regulations must also be followed.



WARNING!

Danger to life from explosion

During dismantling there is a risk of dangerously hot media escaping.

- ▶ Let the instrument cool down sufficiently before dismantling it.



CAUTION!

Damage to property due to electrostatic discharge (ESD)

When working on open circuits (PCBs) there is a danger of damaging sensitive electronic components through electrostatic discharge.

- ▶ The correct use of grounded working surfaces and personal armbands is required.
- ▶ Do not touch PCBs and electrical components.
- ▶ Before removing the plastic cover, touch any part of the grounded metal case or an adjacent grounded metal object (e.g. radiator, pipelines) (static charges are dissipated from the body).
- ▶ Avoid contact between the electronics and clothing.



On the wetted parts of the instrument, small residual amounts of the test medium (e.g. compressed air, water, oil) can adhere from production.

With increased requirements for technical cleanliness, suitability for the application must be checked by the operator before commissioning.

Only use original parts, see chapter 10 “Accessories”.

Check the instrument for any damage that may have been caused.

In the event of any damage, do not commission the instrument and contact the manufacturer immediately.

5. Commissioning and operation

5.1 Mechanical mounting

5.1.1 Multipoint thermometers

They are usually equipped with a case in which transmitters or terminal blocks are mounted.

EN

The transmitters/digital indicators are fastened mechanically (e.g. rail system in case or holder in connection head).

5.1.2 Cable probes

These are generally not fitted with a case. They can, however, be connected in an additional case in which transmitter or terminal blocks are mounted.

5.1.3 Parallel threads

If the thermometer connection head, neck tube, thermowell/protection tube or process connection are connected with parallel threads (e.g. G 1/2, M20 x 1.5 ...), these threads must be secured using seals which prevent liquids from penetrating into the thermometer.

As standard, WIKA uses copper seals for the connection between the neck tube and the thermowell/protection tube, and a paper flat gasket for the connection of the connection head and the neck tube or thermowell/protection tube.

If the thermometer and the thermowell/protection tube are already connected, the seals will already be mounted (if ordered). The plant operator must check whether the seals are suitable for the operating conditions and must replace them, if necessary, with suitable seals, see chapter 10 "Accessories".

Seals must be replaced after dismounting.

5.1.4 Tapered threads

With NPT or other tapered threads, it should be checked whether it may be necessary to seal them additionally with PTFE tape or hemp. The threads must be lubricated with a suitable lubricant before fitting.

5.2 Electrical mounting

Using a transmitter/digital indicator (option):

Observe the contents of the operating instructions for the transmitter/digital indicator, see scope of delivery.

Cable glands

Requirements for meeting ingress protection:

- Only use cable glands within their indicated clamping area (cable diameter suitable for the cable gland).
- Do not use the lower clamping area with very soft cable types.
- Preferably use round cables (if necessary, slightly oval in cross-section).
- Do not twist the cable.

5. Commissioning and operation

- Repeated opening/closing is possible; however only if necessary, as it might have a detrimental effect on the ingress protection
- For cable with a pronounced cold-flow behaviour the gland must be fully tightened.

5.3 Electrical connection



WARNING!

Danger of short-circuit

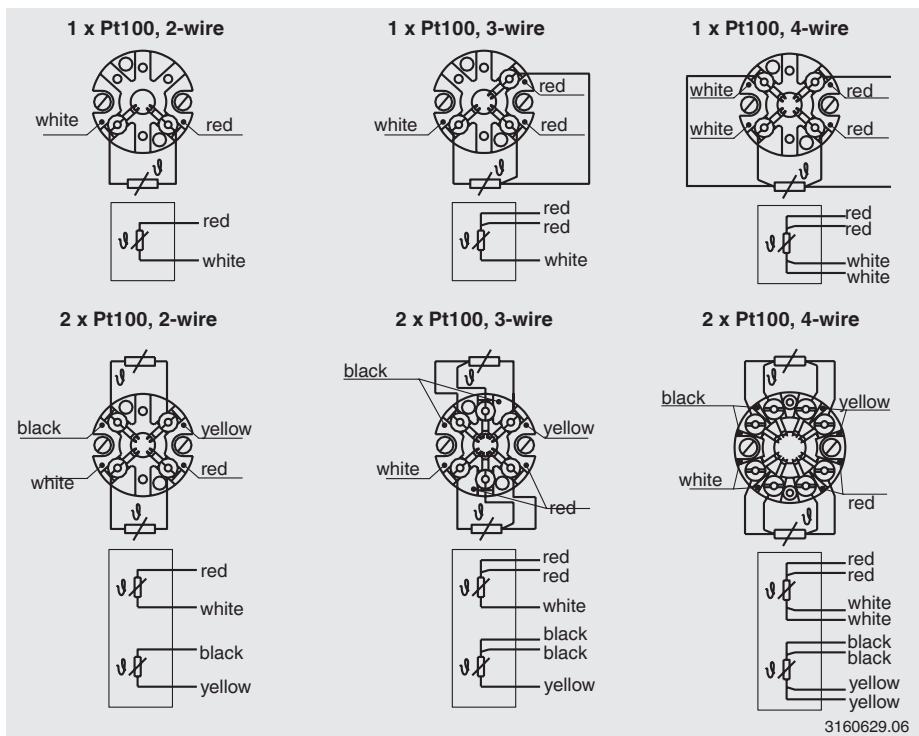
Damage to cables, wires and connection points can lead to malfunction of the instrument.

- ▶ Avoid damaging the cables and wires. Fine-stranded leads with bare ends must be finished with end splices.

EN

5.3.1 Resistance thermometers

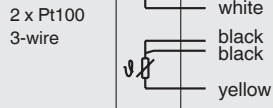
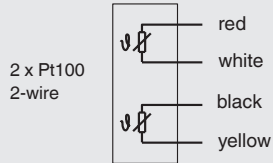
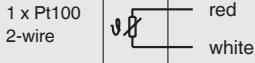
Standard terminal block (colour code in accordance with IEC/EN 60751)



Assignment and colour coding for Pt1000 as for Pt100
Pt1000 only available as single elements

5. Commissioning and operation

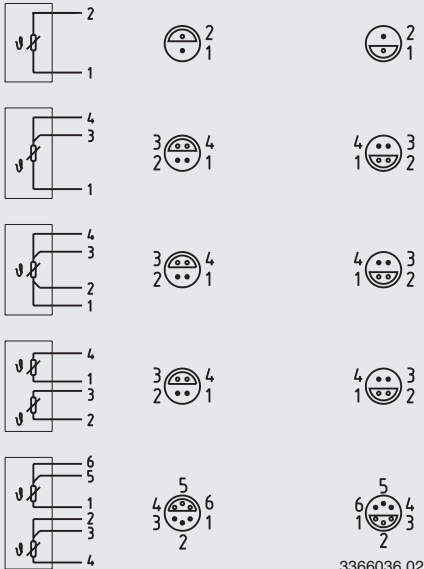
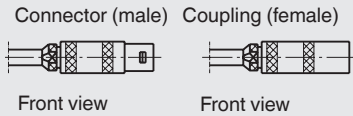
Without connector



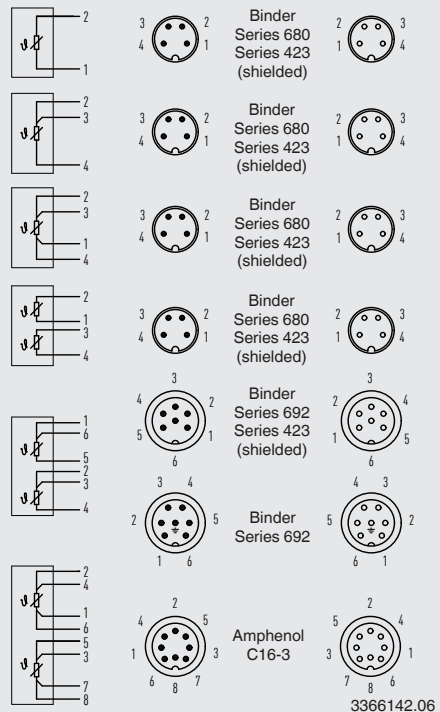
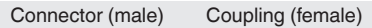
3160629.06

EN

Lemosa connector



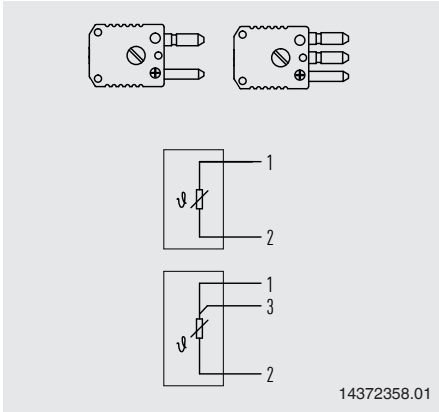
Screw-in/plug connector (Amphenol, Binder)



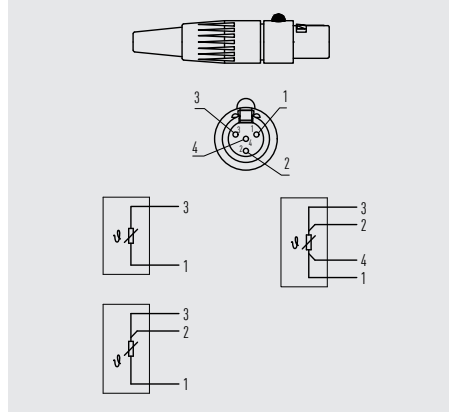
14150915.08 04/2024 EN/DE/FR/ES

5. Commissioning and operation

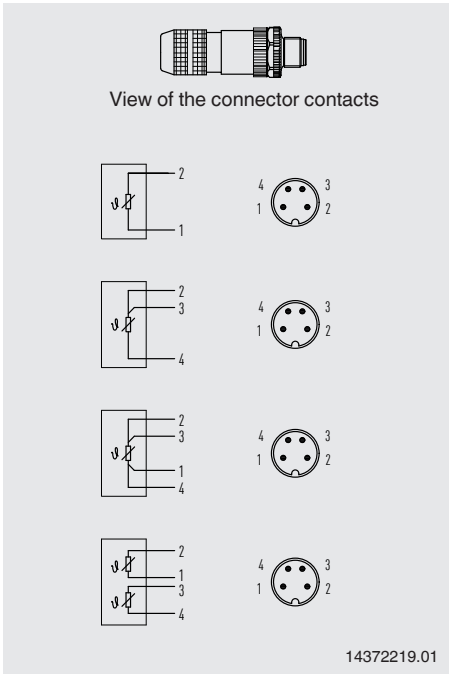
Thermo-connector (RTD, male)



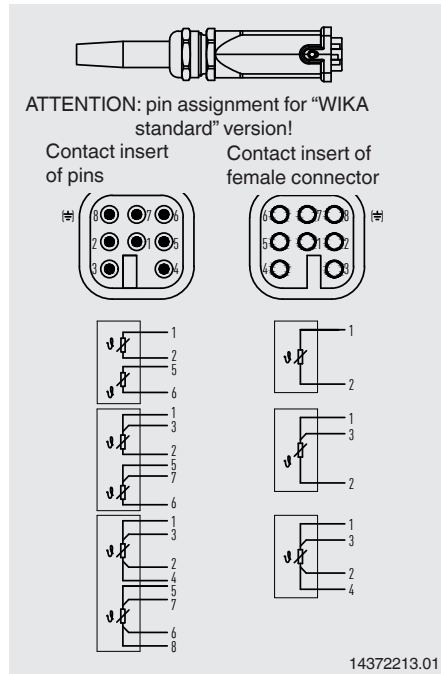
XLR mini connector (female)



M12x1 screw-in/plug connector (female)



Harting connector



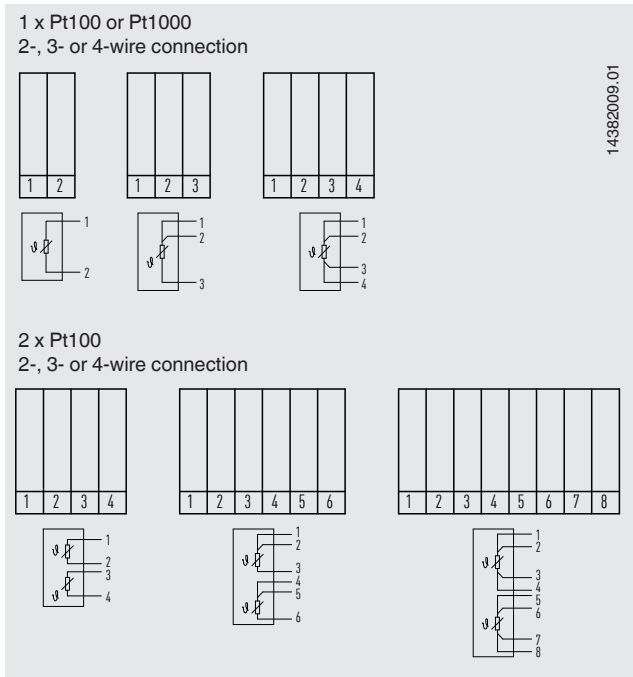
EN

14150915.08 04/2024 EN/DE/FR/ES

5. Commissioning and operation

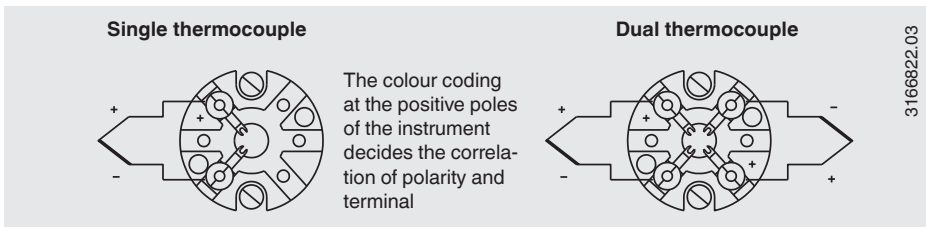
Terminal blocks

EN



5.3.2 Thermocouples

With terminal block



Colour code of cable strands

Sensor type	Standard	Positive	Negative
K	IEC 60584	Green	White
J	IEC 60584	Black	White
E	IEC 60584	Violet	White
N	IEC 60584	Pink	White

14150915.08 04/2024 EN/DE/FR/ES

5. Commissioning and operation

With cable or connector

	Cable For the marking of the cable ends, see table	Lemosa connector, male on the cable 3171986.01	Binder connector, male on the cable (screw-in/plug connection) 3374896.01
Single thermocouple			
Dual thermocouple			
Thermo-connector		Positive and negative terminal are marked. Two thermo-connectors are used with dual thermocouples.	

EN

5.4 Tightening torques

Junction between cable and cable gland

Screw the male nut tightly into the adapter piece (use appropriate tools.)

5.4.1 Tightening torques between cable gland (plastic) and connection head

Junction between cable gland and connection head

Threads	Tightening torques
M20 x 1.5	12 Nm
½ NPT	T.F.F.T 2 - 3 ¹⁾

1) Turns from finger tight (T.F.F.T)

5.4.2 Tightening torques for compression fittings

Seal	Turns ¹⁾	Max. pressure in bar
Stainless steel ferrule	1 ¼ ... 1 ½	100
Stainless steel bite-type ferrule	1 ¼ ... 1 ½	100
PTFE ferrule	1 ¼ ... 1 ½	8

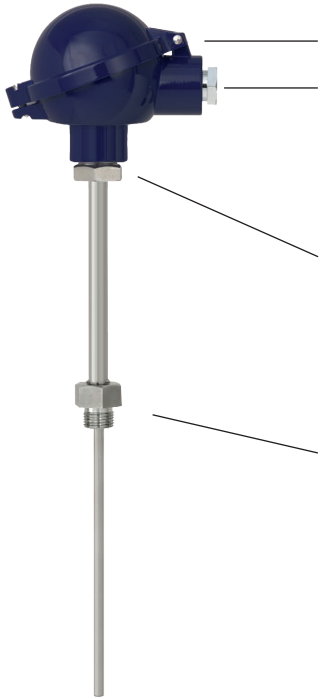
1) Turns from finger tight (T.F.F.T)

14150915.08 04/2024 EN/DE/FR/ES

5. Commissioning and operation

5.4.3 Tightening torques for the thermometer

EN



Connection head
BS, BSZ, BSZ-H, BSS, BSS-H, BSZ-K, BSZ-HK, KN4-A)
Figure shows the BSZ connection head

Threads	Tightening torques	
	Metal	Plastic
M20 x 1,5	20 Nm	12 Nm
½ NPT	20 Nm	T. F. F. T 2-3 ¹⁾

1) Turns from finger tight (T.F.F.T)

Tightening torques between connection head and neck tube

Threads	Tightening torques	
	Connection head material	
	Aluminium	Stainless steel
½ NPT	The connection must not be disconnected by the user.	
M24 x 1.5 with male nut	27 Nm	30 Nm

Tightening torques for connection to thermowell/protection tube

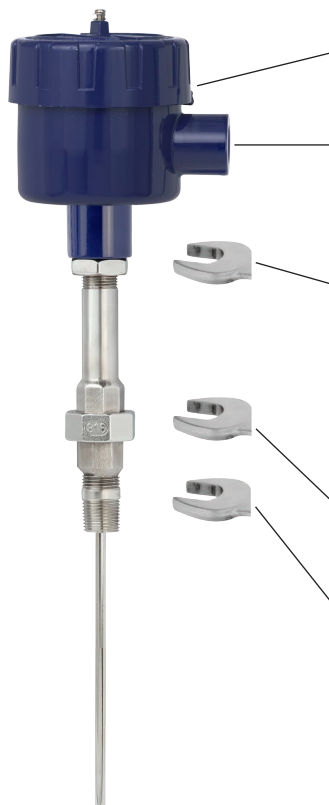
Threads	Tightening torques
½ NPT	30 Nm
¾ NPT	40 Nm
G ½ B	35 Nm
G ¾ B	40 Nm
M14 x 1.5	27 Nm
M18 x 1.5	35 Nm
M20 x 1.5	37 Nm
M27 x 1.5	42 Nm

- Only ever screw in, or unscrew, the instrument via the spanner flats and to the prescribed torque using an appropriate tool.
- The correct torque depends on the dimensions of the connection thread and the seal used (form/material).
- When screwing in or unscrewing the instrument, do not use the connection head as contact surface.
- When screwing in the instrument, please observe that the threads are not crossed.
- NPT threads to the head must not be loosened by the customer. A PTFE/PFA lubricant is applied at the factory to the NPT threads to the thermowell/protection tube. This must be renewed if the threads are loosened by the customer.

14150915.08 04/2024 EN/DE/FR/ES

5. Commissioning and operation

5.4.4 Tightening torques for the thermometer



(1/4000, 7/8000, PIH)

Figure shows the 7/8000 connection head

Cable gland (metal)	
Threads	Tightening torques
½ NPT	20 Nm
¾ NPT	25 Nm
M20 x 1.5	20 Nm

EN

Tightening torques between connection head and neck tube

Threads	Tightening torques
½ NPT	The connection must not be disconnected by the user.
¾ NPT	The connection must not be disconnected by the user.
M20 x 1.5 with counter nut	After loosening the counter nut, the IP degree of protection can no longer be guaranteed.

As-delivered condition: hand-tightened (approx. 5 Nm)

After aligning the connection head, the connection must be secured using 50 ... 60 Nm.

Tightening torques for connection to thermowell/protection tube

Threads	Tightening torques
½ NPT	30 Nm
¾ NPT	40 Nm
G ½ B	35 Nm
G ¾ B	40 Nm
M14 x 1.5	27 Nm
M18 x 1.5	35 Nm
M20 x 1.5	37 Nm
M27 x 1.5	42 Nm

- Only ever screw in, or unscrew, the instrument via the spanner flats and to the prescribed torque using an appropriate tool.
- The correct torque depends on the dimensions of the connection thread and the seal used (form/material).
- When screwing in or unscrewing the instrument, do not use the connection head as contact surface.
- When screwing in the instrument, please observe that the threads are not crossed.
- If M20 x 1.5 threads are loosened to the head with a counter nut, the IP degree of protection can no longer be guaranteed. NPT threads to the head must not be loosened by the customer. A PTFE/PFA lubricant is applied at the factory to the NPT threads to the thermowell/protection tube. This must be renewed if the threads are loosened by the customer.
- The threads of the separable screw connection (union) do not need to be treated with lubricant.

5. Commissioning and operation

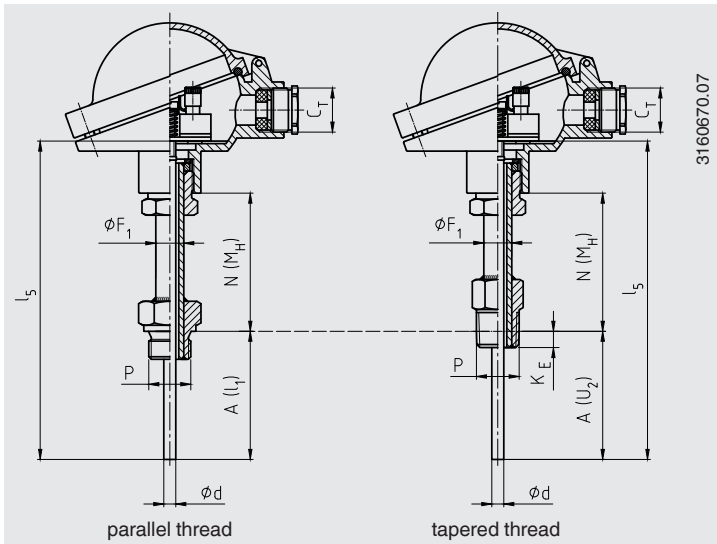
5.5 Temperature carry-over from the process

A heat backflow from the process that exceeds the operating temperature of the transmitter (digital indicator) or case is not permitted and must be prevented by installing suitable heat insulation or a respectively long neck tube.

EN

Increasing the distance of the connection components to hot surfaces

The neck length (N) is defined as the distance between the lower edge of the connection head or case and the heat-emitting surface. The expected temperature at the lower edge of the connection head or case should be a maximum of 80 °C [176 °F]. The conditions for built-in transmitters or displays must be considered, and if needed, the neck length should be increased.



To help select the minimum neck length, the following standard values have been determined.

Maximum medium temperature	Recommendation for dimension N	Recommendation for dimension X
100 °C [212 °F]	-	-
135 °C [275 °F]	20 mm [0.79 in]	20 mm [0.79 in]
200 °C [392 °F]	50 mm [1.97 in]	50 mm [1.97 in]
> 200 °C [392 °F] ≤ 450 °C [842 °F]	100 mm [3.94 in]	100 mm [3.94 in]

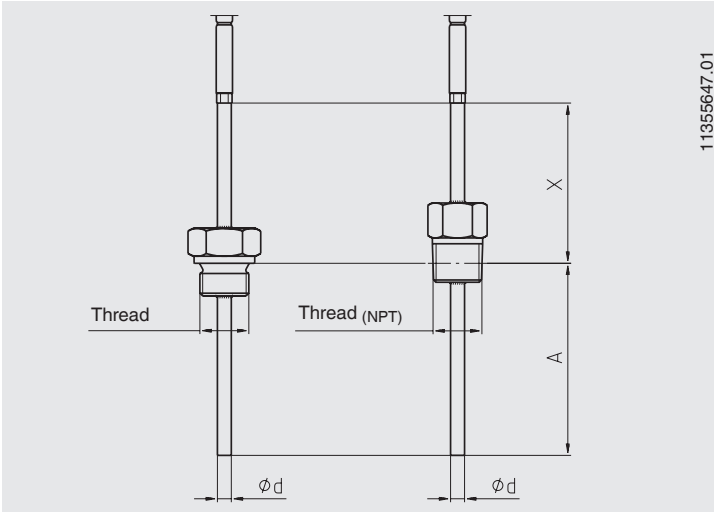
For thermometers fitted with a connection lead, the temperature at the interface with the connection cable is restricted. This is a max. of 150 °C [302 °F]. To ensure that the permissible temperature is not exceeded, the dimension X must be selected accordingly.

5. Commissioning and operation

Increasing the distance of the connection components to hot surfaces

The length X is defined as the distance between the transition point from the cable to the heat-emitting surface. The expected temperature at the transition point should be a maximum of 120 °C [248 °F].

- If necessary, the X length should be increased.



5. Commissioning and operation

5.6 Additional notes for instruments with EHEDG and 3-A

5.6.1 Compliance with 3-A conformity

For a 3-A marked connection with milk thread fittings per DIN 11851, suitable profile seals must be used (e.g. SKS Komponenten BV or Kieselmann GmbH).

Note:

To maintain the 3-A certification, one of the 3-A approved process connections must be used. These are marked with the logo in the data sheet.

5.6.2 Compliance with EHEDG conformity

For an EHEDG-compliant connection, seals in accordance with the current EHEDG policy document must be used.

Manufacturer of seals

- Seal for connections per DIN 32676 and BS 4825 part 3:
e.g. Combifit International B.V.
- Seals for connections per DIN 11851: e.g. Kieselmann GmbH
- VARINLINE® seals: e.g. GEA Tuchenhagen GmbH

5.6.3 Mounting instructions

Observe the following instructions, especially for EHEDG-certified and 3-A-compliant instruments.

- For compliance with the EHEDG certification, one of the EHEDG-recommended process connections must be used. These are marked with the logo in the data sheet.
- For compliance with 3-A conformity, a 3-A-compliant process connection must be used. These are marked with the logo in the data sheet.
- Mount the electrical thermometer, including the thermowell/protection tube, with minimal dead space and able to be cleaned easily.
- The mounting position of the electrical thermometers, including thermowell/protection tube, welding socket and instrumentation T-piece should be designed to be self-draining.
- The mounting position must not form a draining point or cause a basin to be formed.
- With the process connection via an instrumentation T-piece, the length, L , of the branch (connection to the measuring instrument) must not be longer than the inner diameter, D , of the branch (rule: $L \leq D$).
- For protection tubes reaching into the branch, this diameter, d , shall be subtracted from the inner diameter of the branch, D , (rule: $L \leq D - d$).

5. Commissioning and operation

EN

5.6.4 Cleaning in place (CIP) cleaning process

- Only use cleaning agents which are suitable for the seals used.
- Cleaning agents must not be abrasive nor corrosively attack the materials of the wetted parts.
- Avoid thermal shocks or fast temperature changes. The temperature difference between the cleaning agent and rinsing with clear water should be as low as possible. Negative example: Cleaning at 80 °C [176 °F] and rinsing at 4 °C [39 °F] with cold water.
- For tank-mounted sensors the tank cleaning devices shall be positioned in such a way that the sensor can be assessed and is perfectly cleaned.

6. Faults

Personnel: skilled personnel

EN



DANGER!

Danger to life from explosion

Through working in flammable atmospheres, there is a risk of explosion which can cause death.

- ▶ Only carry out troubleshooting work in non-hazardous environments.



WARNING!

Physical injuries and damage to property and the environment caused by hazardous media

Upon contact with hazardous media (e.g. oxygen, acetylene, flammable or toxic substances) or harmful media (e.g. corrosive, toxic, carcinogenic, radioactive), there is a danger of physical injuries and damage to property and the environment.

Should a failure occur, hazardous media with extreme temperatures (over 55 °C [131 °F]) may be present at the instrument.

- ▶ For these media, in addition to all standard regulations, the appropriate existing codes or regulations must also be followed.



If faults cannot be eliminated by means of the listed measures, the instrument must be taken out of operation immediately.

- ▶ Contact the manufacturer.
- ▶ If a return is needed, please follow the instructions given in chapter 8.2 “Return”.



For contact details, see chapter 1 “General information” or the back page of the operating instructions.

6. Faults

EN

Faults	Causes	Measures
No signal/cable break	Mechanical load too high or overtemperature	Replace probe or measuring insert with one of a suitable design
Erroneous measured values	Sensor drift caused by overtemperature	Replace probe or measuring insert with one of a suitable design
	Sensor drift caused by chemical attack	<ul style="list-style-type: none"> ■ Analyse the medium ■ Select a more suitable material or replace thermowell/protection tube regularly
Erroneous measured values (too low)	Entry of moisture into cable or measuring insert	Replace probe or measuring insert with one of a suitable design
Erroneous measured values and response times too long	Wrong mounting geometry, e.g. insertion depth too small or heat dissipation too high	The temperature-sensitive area of the sensor must be inside the medium, and surface measurements must be ungrounded
	Deposits on the sensor or thermowell/protection tube	Remove deposits
Erroneous measured values (of thermocouples)	Parasitic voltages (thermoelectric voltages, galvanic voltage) or wrong compensating cable	Use suitable compensating cable
Display of measured value jumps	Cable break in connection cable or loose contact caused by mechanical overload	Replace probe or measuring insert with a suitable design, for example equipped with a bend protection spring or a thicker conductor cross-section
Corrosion	Composition of the medium not as expected, modified or wrong thermowell/protection tube material selected	<ul style="list-style-type: none"> ■ Analyse the medium ■ Select a more suitable material or replace thermowell/protection tube regularly
Signal interference	Stray currents caused by electric fields or ground loops	Use shielded connection leads, and increase the distance from motors and power cables
	Ground loops	Eliminate potential differences by using galvanically isolated repeater power supplies or transmitters

7. Maintenance, cleaning and calibration

7. Maintenance, cleaning and calibration

Personnel: skilled personnel

EN



For contact details, see chapter 1 “General information” or the back page of the operating instructions.

7.1 Maintenance

This instrument is maintenance-free.

Repairs must only be carried out by the manufacturer.

Only use original parts, see chapter 10 “Accessories”.

7.2 Cleaning



CAUTION!

Physical injuries and damage to property and the environment

Residual media can result in a risk to persons, the environment and equipment.

- ▶ Wear the requisite protective equipment.
- ▶ Carry out the cleaning process in accordance with the manufacturer's instructions.



CAUTION!

Damage to property due to improper cleaning

Improper cleaning may lead to damage to the instrument.

- ▶ Do not use any aggressive cleaning agents.
- ▶ Do not use any hard or pointed objects for cleaning.
- ▶ Do not use any abrasive cloths or sponges.

1. When cleaning from outside (“wash down”), observe the permissible temperature and ingress protection.
2. Let the instrument cool down to room temperature before cleaning it.
3. Clean the instrument with a moist cloth.
Electrical connections must not come into contact with moisture.
4. Wash or clean the dismantled instrument, in order to protect persons and the environment from exposure to residual media.

7. Maintenance, cleaning and calibration

EN

7.3 Calibration

It is recommended to calibrate the instrument at regular time intervals. (resistance thermometers: approx. 24 months, thermocouples: approx. 12 months). This period can reduce, depending on the particular application. The calibration can be carried out by the manufacturer, as well as on-site by qualified skilled personnel with calibration instruments.

7.3.1 Instruments with removable measuring insert

(models Tx10-B, Tx10-C, Tx10-D, Tx10-F, TR10-J, Tx10-L, Tx10-O, Tx12-B, Tx12-M, TR22-A, TR22-B, TR55, Tx81)

For calibration, the measuring insert is removed from the thermometer.

The minimum length (metal part of the probe) for carrying out a 3.1 measurement accuracy test or DAkkS is 100 mm [3.94 in].

7.3.2 Instruments with non-removable measuring inserts or cable probes

(models Tx10-H, TR21-A, TR21-B, TR21-C, TR31, TR33, TR34, TR36, Tx40, TR41, Tx50, Tx53, TR75)

The minimum length (metal part of the probe or the length of the probe below the process connection) for carrying out a 3.1 measurement accuracy test or DAkkS is 100 mm [3.94 in].

7.3.3 Measuring inserts

(models Tx10-A, Tx10-K, TR11-A, Tx12-A)

The minimum length for carrying out a 3.1 measurement accuracy test or DAkkS is 100 mm [3.94 in].

7.3.4 Multipoint thermometers

(models TC94, Tx95, TC96-O, TC96-R, TC96-M, TC97)

The individual thermometers are calibrated before final assembly.

7.3.5 Flush-mounted and in-line instruments

(models TR20, TR25)

The thermometer is immersed in a liquid bath for calibration.

7.3.6 Cannot be calibrated

(models TR60, Tx90)

Standard versions of these instruments cannot be calibrated.

8. Dismounting, return and disposal

8. Dismounting, return and disposal

Personnel: skilled personnel

EN



WARNING!
Physical injury

When dismantling, there is a danger from hazardous media and high pressures.

- ▶ Observe the information in the material safety data sheet for the corresponding medium.
- ▶ Only disconnect the pressure measuring instrument/measuring assembly/test and calibration installations once the system has been depressurised and cooled down.
- ▶ Wash or clean the dismantled instrument (following operation), in order to protect persons and the environment from exposure to residual media.



WARNING!
Risk of burns

During dismantling there is a risk of dangerously hot media escaping.

- ▶ Let the instrument cool down to room temperature before dismantling it.



WARNING!
Physical injuries and damage to property and the environment caused by hazardous media

Upon contact with hazardous media (e.g. oxygen, acetylene, flammable or toxic substances) or harmful media (e.g. corrosive, toxic, carcinogenic, radioactive), there is a danger of physical injuries and damage to property and the environment.

Hazardous media may adhere to or escape from the instrument should a failure occur.

- ▶ For these media, in addition to all standard regulations, the appropriate existing codes or regulations must also be followed.



WARNING!
Physical injuries and damage to property and the environment caused by hazardous media

Upon contact with hazardous media (e.g. oxygen, acetylene, flammable or toxic substances) or harmful media (e.g. corrosive, toxic, carcinogenic, radioactive), there is a danger of physical injuries and damage to property and the environment.

Should a failure occur, hazardous media with extreme temperatures (over 55 °C [131 °F]) may be present at the instrument.

- ▶ For these media, in addition to all standard regulations, the appropriate existing codes or regulations must also be followed.

8. Dismounting, return and disposal



WARNING!

Physical injuries and damage to property and the environment caused by hazardous media

Upon contact with hazardous media (e.g. oxygen, acetylene, flammable or toxic substances) or harmful media (e.g. corrosive, toxic, carcinogenic, radioactive), there is a danger of physical injuries and damage to property and the environment.

Should a failure occur, hazardous media under high pressure or vacuum may be present at the instrument.

- ▶ For these media, in addition to all standard regulations, the appropriate existing codes or regulations must also be followed.

EN

8.1 Dismounting

Only disconnect the thermometer once the system has been depressurised.

8.2 Return

Strictly observe the following when shipping the instrument:

- All instruments delivered to WIKA must be free from any kind of hazardous substances (acids, bases, solutions, etc.) and must therefore be cleaned before being returned, see chapter 7.2 “Cleaning”.
- When returning the instrument, use the original packaging or a suitable transport packaging.



With hazardous substances, include the material safety data sheet for the corresponding medium.

To avoid damage:

1. Place the instrument, along with the shock-absorbent material, in the packaging.
2. If possible, place a bag, containing a desiccant, inside the packaging.
3. Label the shipment as carriage of a highly sensitive measuring instrument.



Information on returns can be found under the heading “Service” on our local website (return application).

8. Dismounting, return and disposal

8.3 Disposal

Incorrect disposal can put the environment at risk.

Dispose of instrument components and packaging materials in an environmentally compatible way and in accordance with the country-specific waste disposal regulations.

EN



Do not dispose of with household waste. Ensure a proper disposal in accordance with national regulations.

9. Specifications

EN

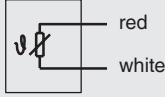
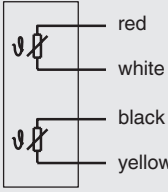
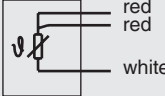
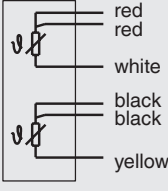
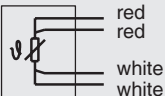
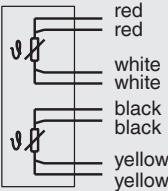
9. Specifications

Measuring element of resistance thermometer

Type of measuring element Pt100, Pt1000

Measuring current 0.1 ... 1.0 mA

Connection method

Single elements		Dual elements	
1 x 2-wire		2 x 2-wire	
1 x 3-wire		2 x 3-wire	
1 x 4-wire		2 x 4-wire ¹⁾	

Validity limits of the class accuracy in accordance with IEC 60751

Class B $\pm (0.30 + 0.0050 t)^2$	<ul style="list-style-type: none"> ■ -196 ... +600 °C [-321 ... +1,112 °F] ■ -196 ... +450 °C [-321 ... +842 °F] ■ -50 ... +500 °C [-58 ... +932 °F] ■ -50 ... +250 °C [-58 ... +482 °F]
Class A ³⁾ $\pm (0.15 + 0.0020 t)^2$	<ul style="list-style-type: none"> ■ -100 ... +450 °C [-148 ... +842 °F] ■ -30 ... +300 °C [-22 ... +572 °F]
Class AA ³⁾ $\pm (0.10 + 0.0017 t)^2$	<ul style="list-style-type: none"> ■ -50 ... +250 °C [-58 ... +482 °F] ■ 0 ... 150 °C [32 ... 302 °F]

1) Not for 3 mm [0.118 in] diameter and 1/8 in [3.2 mm] diameter

2) | t | is the numerical value of the temperature in °C without consideration of the sign

3) Not for 2-wire connection method

9. Specifications

The combinations of a 2-wire connection with class A or class AA are not permissible, since the lead resistance of the MIMS cable and the connection lead negates the higher sensor accuracy.

EN

Maximum probe length including connection cable:

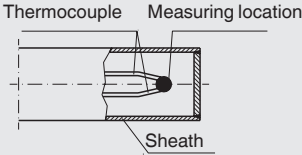
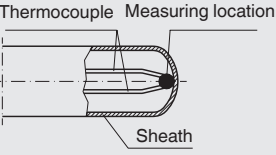
- Class B, 3-wire connection: ~ 30 m [98 ft]
- Class A, 3-wire connection: ~ 10 m [33 ft]
- Class AA, 3-wire connection: ~ 3 m [10 ft]

Longer probe/cable lengths should be designed with a 4-wire connection, since this connection method has no length effect on the accuracy.

→ For detailed specifications for Pt100 sensors, see technical information IN 00.17 at www.wika.com.

The table shows the temperature ranges listed in the respective standards, in which the tolerance values (class accuracies) are valid.

Measuring element of thermocouple

Type of measuring element	Thermocouple per IEC 60584-1 or ASTM E230 Types K, J, E, N, T	
Probe tip design (measuring location)	Ungrounded (measuring location welded isolated, standard)	Grounded (measuring location not isolated, welded to the bottom)
		

Validity limits of the class accuracy in accordance with IEC 60584-1

Type K	Class 2	-40 ... +1,200 °C [-40 ... +2,192 °F]
	Class 1	-40 ... +1,000 °C [-40 ... +1,832 °F]
Type J	Class 2	-40 ... +750 °C [-40 ... +1,382 °F]
	Class 1	-40 ... +750 °C [-40 ... +1,382 °F]
Type E	Class 2	-40 ... +900 °C [-40 ... +1,652 °F]
	Class 1	-40 ... +800 °C [-40 ... +1,472 °F]
Type N	Class 2	-40 ... +1,200 °C [-40 ... +2,192 °F]
	Class 1	-40 ... +1,000 °C [-40 ... +1,832 °F]
Type T	Class 2	-40 ... +350 °C [-40 ... +662 °F]
	Class 1	-40 ... +350 °C [-40 ... +662 °F]

14150915.08 04/2024 EN/DE/FR/ES

9. Specifications

EN

Measuring element of thermocouple		
Validity limits of the class accuracy in accordance with ASTM-E230		
Type K	Standard	0 ... 1,260 °C [32 ... 2,300 °F]
	Special	0 ... 1,260 °C [32 ... 2,300 °F]
Type J	Standard	0 ... 760 °C [32 ... 1,400 °F]
	Special	0 ... 760 °C [32 ... 1,400 °F]
Type E	Standard	0 ... 870 °C [32 ... 1,598 °F]
	Special	0 ... 870 °C [32 ... 1,598 °F]
Type N	Standard	0 ... 1,260 °C [32 ... 2,300 °F]
	Special	0 ... 1,260 °C [32 ... 2,300 °F]
Type T	Standard	0 ... 370 °C [32 ... 698 °F]
	Special	0 ... 370 °C [32 ... 698 °F]

The table shows the temperature ranges listed in the respective standards, in which the tolerance values (class accuracies) are valid.

The actual operating temperature of the thermometer is limited both by the maximum permissible working temperature and the diameter of both the thermocouple and the sheathed cable, as well as by the maximum permissible working temperature of the thermowell/protection tube material.

A cold junction temperature of 0 °C [32 °F] is taken as basis with the definition of the tolerance value of thermocouples.

9. Specifications

Due to the large variance, the specifications are extensive. In these operating instructions, we therefore refer to the corresponding data sheets and order documentation.

EN

■ Resistance thermometers

Model	Data sheet
TR10-0	TE 61.01
TR10-A	TE 60.01
TR10-B	TE 60.02
TR10-C	TE 60.03
TR10-D	TE 60.04
TR10-F	TE 60.06
TR10-H	TE 60.08
TR10-J	TE 60.10
TR10-K	TE 60.11
TR11-A	TE 60.13
TR11-C	TE 60.14
TR11-H	-
TR15	-
TR20	TE 60.20
TR22-A	TE 60.22
TR22-B	TE 60.23
TR25	TE 60.25
TR40	TE 60.40
TR41	TE 60.41
TR50	TE 60.50
TR53	TE 60.53
TR55	TE 60.55
TR58	-
TR60	TE 60.60
TR81	TE 60.81
TR95	TE 70.01

■ Thermocouples

Model	Data sheet
TC10-0	TE 66.01
TC10-A	TE 65.01
TC10-B	TE 65.02
TC10-C	TE 65.03
TC10-D	TE 65.04
TC10-F	TE 65.06
TC10-H	TE 65.08
TC10-K	TE 65.11
TC15	-
TC40	TE 65.40
TC50	TE 65.50
TC53	TE 65.53
TC55	TE 65.55
TC81	TE 65.81
TC94	TE 70.13
TC95	TE 70.01
TC96-O	TE 70.11
TC96-R	TE 70.10
TC96-M	TE 70.14
TC97	TE 70.12

10. Accessories

10. Accessories



The seals can be ordered from WIKA, indicating the threads and WIKA order number and/or the designation, see table.

EN

WIKA Order number	Designation	Suitable for threads
11349981	per DIN 7603 form C 14 x 18 x 2 -CuFA	G ¼, M14 x 1.5
11349990	per DIN 7603 form C 18 x 22 x 2 -CuFA	M18 x 1.5, G ¾
11350008	per DIN 7603 form C 21 x 26 x 2 -CuFA	G ½, M20 x 1.5
11350016	per DIN 7603 form C 27 x 32 x 2.5 -CuFA	G ¾, M27 x 2
11367416	per DIN 7603 form C 20 x 24 x 2 -CuFA	M20 x 1.5
1248278	per DIN 7603 D21.2 x D25.9 x 1.5 -Al	G ½, M20 x 1.5
3153134	per DIN 7603 form C D14.2 x D17.9 x 2 -StFA	G ¼, M14 x 1.5
3361485	per DIN 7603 form C D33.3 x D38.9 x 2.5 -StFA	G 1

Legend:

CuFA = Copper, max. 45HB^a; filled with asbestos-free sealing material

Al = Aluminium Al99; F11, 32 to 45 HB^b

StFA = Soft iron, 80 to 95 HB^a; filled with asbestos-free sealing material

→ WIKA accessories can be found online at www.wika.com.

Inhalt

1. Allgemeines	40
2. Sicherheit	42
3. Transport, Verpackung und Lagerung	45
4. Aufbau und Funktion	46
5. Inbetriebnahme und Betrieb	48
6. Störungen	62
7. Wartung, Reinigung und Kalibrierung	64
8. Demontage, Rücksendung und Entsorgung	66
9. Technische Daten	69
10. Zubehör	73

Konformitätserklärungen finden Sie online unter www.wika.de.

1. Allgemeines

Betroffene Typen:

- ▶ Diese Betriebsanleitung ist für eine Vielzahl von Produkten gültig. Eine genaue Auflistung dieser Typen siehe Kapitel 9 „Technische Daten“.

DE

1. Allgemeines

- Das in der Betriebsanleitung beschriebene Gerät wird nach dem aktuellen Stand der Technik konstruiert und gefertigt. Alle Bauteile unterliegen während der Herstellung strengen Qualitäts- und Umweltkriterien. Unsere Managementsysteme sind nach ISO 9001 und ISO 14001 zertifiziert.
- Diese Betriebsanleitung gibt wichtige Hinweise zum Umgang mit dem Gerät. Voraussetzung für sicheres Arbeiten ist die Einhaltung aller angegebenen Sicherheitshinweise und Handlungsanweisungen.
- Die für den Einsatzbereich des Geräts geltenden örtlichen Unfallverhütungsvorschriften und allgemeinen Sicherheitsbestimmungen einhalten.
- Die Betriebsanleitung ist Produktbestandteil und muss in unmittelbarer Nähe des Geräts für das Fachpersonal jederzeit zugänglich aufbewahrt werden. Betriebsanleitung an nachfolgende Bediener oder Besitzer des Geräts weitergeben.
- Das Fachpersonal muss die Betriebsanleitung vor Beginn aller Arbeiten sorgfältig durchgelesen und verstanden haben.
- Bei unterschiedlicher Auslegung der übersetzten und der englischen Betriebsanleitung ist der englische Wortlaut maßgebend.
- In diesem Dokument wird zur besseren Lesbarkeit das generische Maskulinum verwendet. Weibliche und anderweitige Geschlechteridentitäten werden dabei ausdrücklich eingeschlossen.
- Falls vorhanden, gilt neben dieser Betriebsanleitung auch die mitgelieferte Zuliefererdokumentation als Produktbestandteil.
- Es gelten die allgemeinen Geschäftsbedingungen in den Verkaufsunterlagen.
- Technische Änderungen vorbehalten.
- Weitere Informationen:
 - Internet-Adresse: www.wika.de / www.wika.com
 - Zugehöriges Datenblatt: siehe Kapitel 9 „Technische Daten“
 - Kontakt: Tel.: +49 9372 132-0
info@wika.de

14150915.08 04/2024 EN/DE/FR/ES

1.1 Abkürzungen, Definitionen

■	Aufzählungssymbol
▶	Handlungsanweisung
1. ... x.	Handlungsanweisung Schritt für Schritt durchführen
⇒	Ergebnis einer Handlungsanweisung
→	Siehe ... Querverweise
RTD	Resistance Temperature Detector
TR	Widerstandsthermometer
TC	Thermoelement
MIMS-Leitung	Mineralisolierte metallgeschirmte Leitung

1.2 Symbolerklärung



WARNUNG!

... weist auf eine möglicherweise gefährliche Situation hin, die zum Tod oder zu schweren Verletzungen führen kann, wenn sie nicht gemieden wird.



VORSICHT!

... weist auf eine möglicherweise gefährliche Situation hin, die zu geringfügigen oder leichten Verletzungen bzw. Sach- und Umweltschäden führen kann, wenn sie nicht gemieden wird.



GEFAHR!

... kennzeichnet Gefährdungen durch elektrischen Strom. Bei Nichtbeachtung der Sicherheitshinweise besteht die Gefahr schwerer oder tödlicher Verletzungen.



WARNUNG!

... weist auf eine möglicherweise gefährliche Situation hin, die durch heiße Oberflächen oder Flüssigkeiten zu Verbrennungen führen kann, wenn sie nicht gemieden wird.



Information

... hebt nützliche Tipps und Empfehlungen sowie Informationen für einen effizienten und störungsfreien Betrieb hervor.

2. Sicherheit

2.1 Bestimmungsgemäße Verwendung

Die hier beschriebenen Thermometer sind geeignet zur Temperaturmessung in industriellen Anwendungen.

DE

Diese Thermometer können je nach Ausführung direkt in den Prozess oder in ein Schutzrohr eingebaut werden. Die Bauformen der Schutzrohre sind beliebig auswählbar, jedoch sind die operativen Prozessdaten (Temperatur, Druck, Dichte und Strömungsgeschwindigkeit) zu berücksichtigen.

Reparaturen sowie bauliche Veränderungen sind nicht zulässig und führen zur Erlöschung der Garantie und der jeweiligen Zulassung. Bauliche Veränderungen nach Auslieferung der Geräte obliegen nicht in der Verantwortung des Herstellers.

Die benutzten Schweißteile, Prozessanschlüsse, Klemmverschraubungen, Schutzrohre oder Gehäuse müssen so ausgelegt sein, dass sie allen durch den Prozess entstehenden Einflüssen wie zum Beispiel Temperatur, Durchflusskräften, Druck, Korrosion, Schwingung und Stößen widerstehen.

Die Verantwortung für die Auswahl der Bauteile, des Thermometers bzw. Schutzrohrs, sowie für deren Werkstoffauswahl zur Gewährleistung einer sicheren Funktion in der Anlage bzw. Maschine obliegt dem Betreiber.

Die Eignung der Komponenten muss vom Bediener z. B. durch eine entsprechende Berechnung oder eine Prüfung nachgewiesen werden.

WIKA kann während der Angebotserstellung lediglich Empfehlungen aussprechen, die sich an unseren Erfahrungen in ähnlichen Applikationen orientieren.

Das Gerät ist ausschließlich für die hier beschriebene bestimmungsgemäße Verwendung konzipiert und konstruiert und darf nur dementsprechend verwendet werden.

Die technischen Spezifikationen in dieser Betriebsanleitung, siehe Kapitel 9 „Technische Daten“, sind einzuhalten. Eine sachgemäße Handhabung und das Betreiben des Geräts innerhalb der technischen Spezifikationen wird vorausgesetzt.

Ansprüche jeglicher Art aufgrund von nicht bestimmungsgemäßer Verwendung sind ausgeschlossen.

2.2 Fehlgebrauch

- Jede über die bestimmungsgemäße Verwendung hinausgehende oder andersartige Benutzung gilt als Fehlgebrauch.
- Eigenmächtige Umbauten am Gerät unterlassen.
- Dieses Gerät nicht in Sicherheits- oder in Not-Aus-Einrichtungen benutzen.

2.3 Personalqualifikation



Die in dieser Betriebsanleitung beschriebenen Tätigkeiten nur durch Fachpersonal nachfolgend beschriebener Qualifikation durchführen lassen.

Fachpersonal

Das vom Betreiber autorisierte Fachpersonal ist aufgrund seiner fachlichen Ausbildung, seiner Kenntnisse der Mess- und Regelungstechnik und seiner Erfahrungen sowie Kenntnis der landesspezifischen Vorschriften, geltenden Normen und Richtlinien in der Lage, die beschriebenen Arbeiten auszuführen und mögliche Gefahren selbstständig zu erkennen.

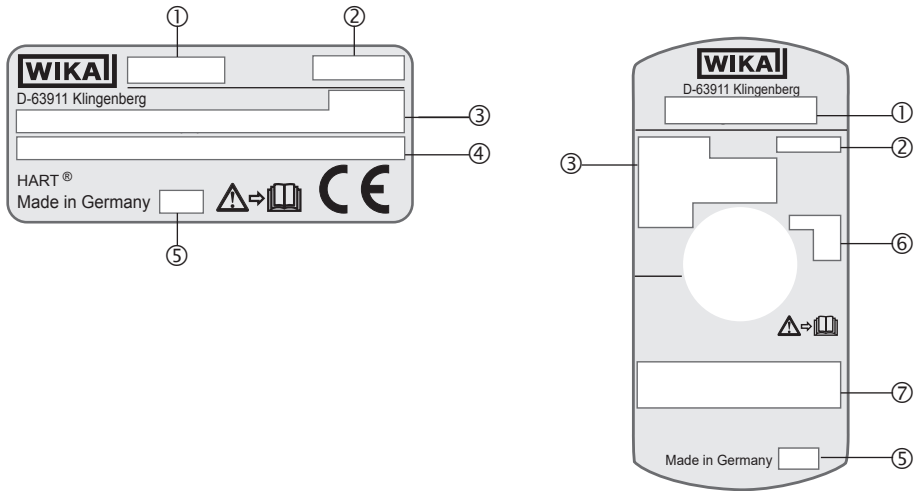
DE

2. Sicherheit

2.4 Beschilderung, Sicherheitskennzeichnungen

Die Beschilderung, Sicherheitskennzeichnungen sind lesbar zu halten.

Typenschild (Beispiele)






- ① Typ
- ② Seriennummer
- ③ Angaben zur Ausführung (Messelement, Messbereich...)

Sensor nach Norm (Widerstandsthermometer)

- FT = Dünnschicht-Messwiderstand, spitzsensitiv

Sensor gemäß Norm (Thermoelement)

- ④ Transmittertyp (nur bei Ausführung mit Transmitter)
- ⑤ Herstellungsjahr
- ⑥ Sensorsymbol

- ungrounded  = isoliert verschweißt
- grounded  = mit dem Mantel verschweißt (geerdet)
- quasi geerdet  = Das Thermometer ist, aufgrund geringer Isolationsabstände zwischen Sensor und Mantel, als geerdet zu betrachten.

- ⑦ Zulassungsrelevante Daten (Nicht-Ex-Ausführung = keine Angaben)

Symbole



Vor Montage und Inbetriebnahme des Geräts unbedingt die Betriebsanleitung lesen.

3. Transport, Verpackung und Lagerung

3.1 Transport



VORSICHT!

Beschädigungen durch unsachgemäßen Transport

Bei unsachgemäßem Transport können Sachschäden entstehen.

- ▶ Beim Abladen der Packstücke bei Anlieferung sowie innerbetrieblichem Transport vorsichtig vorgehen und die Symbole auf der Verpackung beachten.
- ▶ Bei innerbetrieblichem Transport die Hinweise im Kapitel 3.2 „Verpackung und Lagerung“ beachten.

DE

Gerät auf eventuell vorhandene Schäden untersuchen.

Bei Schäden Gerät nicht in Betrieb nehmen und unverzüglich Kontakt mit dem Hersteller aufnehmen.

Wird das Gerät von einer kalten in eine warme Umgebung transportiert, kann durch Kondensatbildung eine Störung der Gerätefunktion eintreten. Vor einer erneuten Inbetriebnahme die Angleichung der Gerätetemperatur an die Raumtemperatur abwarten.

3.2 Verpackung und Lagerung

Verpackung erst unmittelbar vor der Montage entfernen.

Die Verpackung aufbewahren, denn diese bietet bei einem Transport einen optimalen Schutz (z. B. wechselnder Verwendungsort, Reparatursendung).

Zulässige Bedingungen am Lagerort:

- Lagertemperatur ohne eingebauten Transmitter: $-40 \dots +80 \text{ °C}$ [$-40 \dots +176 \text{ °F}$]
- Lagertemperatur mit eingebautem Transmitter: siehe Betriebsanleitung des entsprechenden Transmitters
- Feuchte: 35 ... 85 % relative Feuchte (keine Betauung)

3. Transport, Verpackung und ... / 4. Aufbau und Funktion

Folgende Einflüsse vermeiden:

- Direktes Sonnenlicht oder Nähe zu heißen Gegenständen
- Mechanische Vibration, mechanischer Schock (hartes Aufstellen)
- Ruß, Dampf, Staub und korrosive Gase
- Explosionsgefährdete Umgebung, entzündliche Atmosphären

DE

Das Gerät in der Originalverpackung an einem Ort lagern, der die zuvor aufgelisteten Bedingungen erfüllt. Bereits in Betrieb genommene Geräte sind vor der Einlagerung zu reinigen, siehe Kapitel 7.2 „Reinigung“.

Wenn die Originalverpackung nicht vorhanden ist, das Gerät wie folgt verpacken und lagern:

1. Das Gerät in der Verpackung platzieren und gleichmäßig dämmen.
2. Bei längerer Einlagerung (mehr als 30 Tage) einen Beutel mit Trocknungsmittel der Verpackung beilegen.

4. Aufbau und Funktion

4.1 Lieferumfang

- Gerät Typ xxx
- Betriebsanleitung
- Bestelltes Kalibrierzertifikat
- Bestelltes Zubehör

Lieferumfang mit dem Lieferschein abgleichen.

4.2 Beschreibung

Diese Widerstandsthermometer und Thermoelemente dienen zur Temperaturmessung in industriellen Anwendungen.

Dieses Dokument beschreibt Geräte in Standardausführung. Für Anwendungen in explosionsgefährdeten Bereichen sind spezielle Geräteausführungen erforderlich.

Weitere Informationen für den Einsatz im explosionsgefährdeten Bereich siehe Zusatzinformation für die entsprechende Zündschutzart (separates Dokument).

Im Thermometer eingebaute Transmitter oder Digitalanzeigen besitzen eigene Betriebsanleitungen.

Widerstandsthermometer der Typen TRxx bestehen aus einem Sensor-Teil aus mineralisierten Mantelleitung oder aus verschweißtem Rohr. In beiden Ausführungsvarianten ist der temperatursensitive Messwiderstand in der Fühlerspitze eingebaut.

Sensor-Schaltungsarten

■ 2-Leiter-Schaltung

Der Leitungswiderstand bis zum Sensor geht als Fehler in die Messung ein. Daher ist diese Schaltungsart bei Verwendung von Pt100-Messwiderständen für die Genauigkeitsklassen A und AA nicht sinnvoll, da der elektrische Widerstand der Anschlussleitungen und dessen eigene Temperaturabhängigkeit voll in das Messergebnis eingehen und dieses somit verfälschen.

■ 3-Leiter-Schaltung (Standardausführung)

Der Einfluss des Leitungswiderstandes wird weitestgehend kompensiert. Die maximale Länge der Anschlussleitung hängt vom Leitungsquerschnitt und von den Kompensationsmöglichkeiten der Auswerteelektronik (Transmitter, Anzeige, Regler oder Prozessleitsystem) ab.

■ 4-Leiter-Schaltung

Der Einfluss der Anschlussleitung auf das Messergebnis wird vollständig eliminiert, da auch eventuelle Asymmetrien im Leitungswiderstand der Anschlussleitung kompensiert werden. Die maximale Länge der Anschlussleitung hängt vom Leitungsquerschnitt und von den Kompensationsmöglichkeiten der Auswerteelektronik (Transmitter, Anzeige, Regler oder Prozessleitsystem) ab. Eine 4-Leiter-Schaltung kann auch als 2- oder 3-Leiter-Schaltung verwendet werden, in dem man die überzähligen Leiter nicht anschließt.

→ Weitere Informationen zu Sensor-Schaltungsarten siehe Kapitel 9 „Technische Daten“ und Technische Information IN 00.17

Thermoelemente der Typen TCxx bestehen aus mineralisolierten Mantelleitung. Der temperatursensitive Messpunkt des Thermoelements befindet sich in der Fühlerspitze. Der Messpunkt (Schweißpunkt) ist von der ihn umgebenden Mantelleitung isoliert (Standardausführung).

Für besondere Anwendungen wird der Messpunkt mit dem Boden der Mantelleitung verschweißt.

→ Weitere Informationen zu Sensor-Schaltungsarten siehe Kapitel 9 „Technische Daten“ und Technische Information IN 00.23.

5. Inbetriebnahme und Betrieb

Personal: Fachpersonal



WARNUNG!

Beschädigung des Messgeräts durch Unter- oder Überschreiten der zulässigen Betriebstemperatur

Bei Missachtung der zulässigen Betriebstemperatur, auch unter Berücksichtigung von Konvektion und Wärmestrahlung, kann das Thermometer bereits während der Montage beschädigt werden.

- ▶ Spezifizierter Betriebstemperaturbereich nicht unter- oder überschreiten.



WARNUNG!

Körperverletzungen, Sach- und Umweltschäden durch gefährliche Messstoffe

Bei Kontakt mit gefährlichen Messstoffen (z. B. Sauerstoff, Acetylen, brennbaren oder giftigen Stoffen) und gesundheitsgefährdenden Messstoffen (z. B. ätzend, giftig, krebserregend, radioaktiv) besteht die Gefahr von Körperverletzungen, Sach- und Umweltschäden.

Im Fehlerfall können am Gerät gefährliche Messstoffe anhaften bzw. austreten.

- ▶ Bei diesen Messstoffen müssen über die gesamten allgemeinen Regeln hinaus die einschlägigen Vorschriften beachtet werden.



WARNUNG!

Körperverletzungen, Sach- und Umweltschäden durch gefährliche Messstoffe

Bei Kontakt mit gefährlichen Messstoffen (z. B. Sauerstoff, Acetylen, brennbaren oder giftigen Stoffen) und gesundheitsgefährdenden Messstoffen (z. B. ätzend, giftig, krebserregend, radioaktiv) besteht die Gefahr von Körperverletzungen, Sach- und Umweltschäden.

Im Fehlerfall können am Gerät gefährliche Messstoffe mit extremer Temperatur (über 55 °C [131 °F]) anliegen.

- ▶ Bei diesen Messstoffen müssen über die gesamten allgemeinen Regeln hinaus die einschlägigen Vorschriften beachtet werden.



WARNUNG!

Körperverletzungen, Sach- und Umweltschäden durch gefährliche Messstoffe

Bei Kontakt mit gefährlichen Messstoffen (z. B. Sauerstoff, Acetylen, brennbaren oder giftigen Stoffen) und gesundheitsgefährdenden Messstoffen (z. B. ätzend, giftig, krebserregend, radioaktiv) besteht die Gefahr von Körperverletzungen, Sach- und Umweltschäden. Im Fehlerfall können am Gerät gefährliche Messstoffe unter hohem Druck oder Vakuum anliegen.

- ▶ Bei diesen Messstoffen müssen über die gesamten allgemeinen Regeln hinaus die einschlägigen Vorschriften beachtet werden.



WARNUNG!

Lebensgefahr durch Explosion

Beim Ausbau besteht Gefahr durch austretende, gefährlich heiße Messstoffe.

- ▶ Vor dem Ausbau das Gerät ausreichend abkühlen lassen.



VORSICHT!

Sachschaden durch elektrostatische Entladung (ESD)

Bei Arbeiten mit offenen Schaltkreisen (Leiterplatten) besteht die Gefahr empfindliche elektronische Bauteile durch elektrostatische Entladung zu beschädigen.

- ▶ Die ordnungsgemäße Verwendung geerdeter Arbeitsflächen und persönlicher Armbänder ist erforderlich.
- ▶ Leiterplatten und elektrische Bauteile nicht berühren.
- ▶ Vor dem Abnehmen des Kunststoffdeckels den geerdeten metallischen Gehäuseteil bzw. einen benachbarten geerdeten metallischen Gegenstand (z. B. Heizkörper, Rohrleitungen) berühren (statische Ladungen werden vom Körper abgeleitet).
- ▶ Den Kontakt zwischen Elektronik und Kleidungsstücken vermeiden.



An den messstoffberührten Teilen des Geräts können herstellungsbedingt geringe Restmengen des Prüfmediums (z. B. Druckluft, Wasser, Öl) anhaften. Bei erhöhten Anforderungen an die technische Sauberkeit muss die Eignung für den Anwendungsfall vor Inbetriebnahme vom Betreiber geprüft sein.

Nur Originalteile verwenden, siehe Kapitel 10 „Zubehör“.

Gerät auf eventuell vorhandene Schäden untersuchen.

Bei Schäden Gerät nicht in Betrieb nehmen und unverzüglich Kontakt mit dem Hersteller aufnehmen.

5.1 Mechanische Montage

5.1.1 Stufenthermometer

Diese sind in der Regel mit einem Gehäuse ausgestattet, in welchem Transmitter oder Reihenklammern montiert sind.

Die Transmitter/Digitalanzeigen sind mechanisch befestigt (z. B. Schienensystem im Gehäuse oder Halterung im Anschlusskopf).

DE

5.1.2 Kabelfühler

Diese sind in der Regel nicht mit einem Gehäuse ausgestattet. Sie können jedoch in einem zusätzlichen Gehäuse angeschlossen werden, in welchem Transmitter oder Reihenklammern montiert sind.

5.1.3 Zylindrische Gewinde

Wenn Thermometeranschlusskopf, Halsrohr, Schutzrohr oder Prozessanschluss mit zylindrischen Gewinden (z. B. G ½, M20 x 1,5 ...) verbunden werden, müssen diese Gewinde mit Dichtungen gegen den Eintritt von Flüssigkeiten in das Thermometer gesichert werden.

WIKA verwendet standardmäßig eine Kupferdichtung für die Verbindung Halsrohr zum Schutzrohr und eine Papier-Flachdichtung für die Verbindung Anschlusskopf zum Halsrohr oder Schutzrohr.

Bei Zusammenbauten von Thermometer und Schutzrohr sind diese Dichtungen bereits vormontiert (sofern bestellt). Es obliegt dem Betreiber der Anlage, die Eignung dieser Dichtung im Hinblick auf die Einsatzbedingungen zu überprüfen und ggfs. durch eine geeignete Dichtung zu ersetzen, siehe Kapitel 10 „Zubehör“.

Dichtungen nach einer Demontage ersetzen!

5.1.4 Kegelige Gewinde

Die Notwendigkeit einer zusätzlichen Dichtung bei NPT-Gewinden oder anderen kegeligen Gewinden mit PTFE-Band oder Hanf prüfen. Die Gewinde sollten vor der Montage mit einem geeigneten Mittel geschmiert werden.

5.2 Elektrische Montage

Einsatz eines Transmitters/Digitalanzeige (Option):

Den Inhalt der zum Transmitter/Digitalanzeige gehörenden Betriebsanleitung beachten, siehe Lieferumfang.

Kabelverschraubungen

Voraussetzungen zur Erreichung der Schutzart:

- Kabelverschraubung nur im angegebenen Klemmbereich (Kabeldurchmesser passend zur Kabelverschraubung) verwenden.
- Bei Verwendung sehr weicher Kabeltypen nicht den unteren Klemmbereich verwenden.
- Bevorzugt Rundkabel verwenden (ggf. leicht ovaler Querschnitt).

5. Inbetriebnahme und Betrieb

- Kabel nicht verdrehen.
- Mehrmaliges Öffnen/Schließen möglich; hat ggf. jedoch negative Auswirkung auf die Schutzart
- Bei Kabeln mit ausgeprägtem Kaltfließverhalten Verschraubung nachziehen.

5.3 Elektrischer Anschluss



WARNUNG! Kurzschlussgefahr

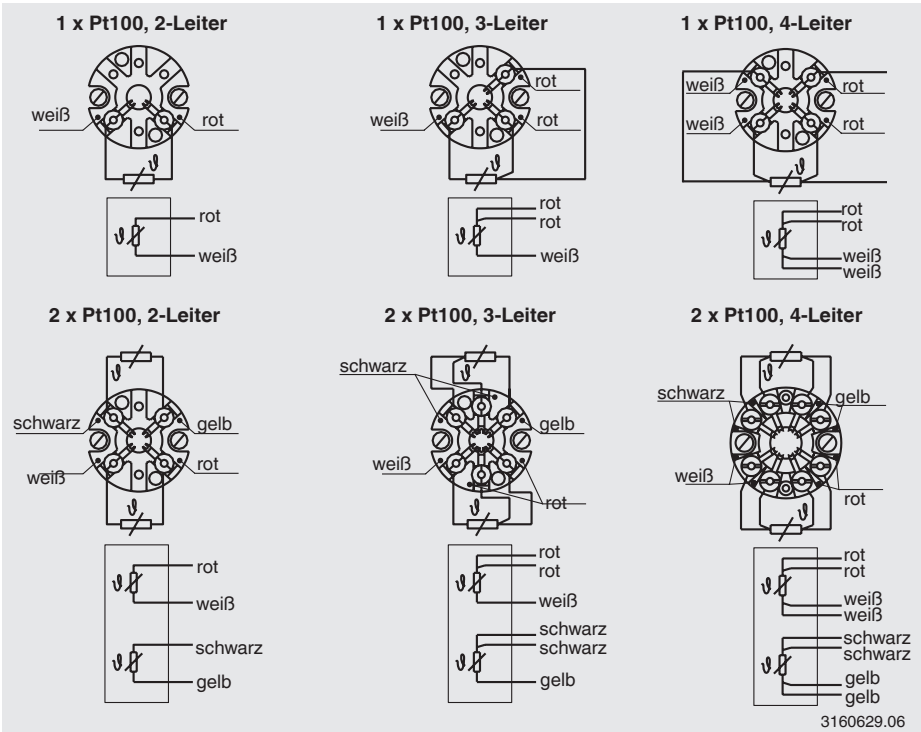
Beschädigung an Kabeln und Leitungen, sowie Verbindungsstellen können zu Fehlfunktion des Geräts führen.

- ▶ Beschädigungen an Kabeln und Leitungen vermeiden. Feindrähtige Leiterenden mit Aderendhülsen versehen.

DE

5.3.1 Widerstandsthermometer

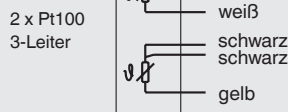
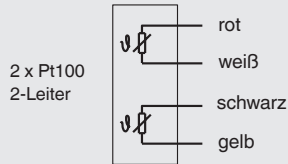
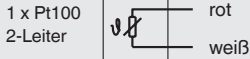
Standard-Klemmsockel (Farbcode nach IEC/EN 60751)



Belegung und Farbcodierung für Pt1000 wie für Pt100
Pt1000 nur als Einfachelemente verfügbar

5. Inbetriebnahme und Betrieb

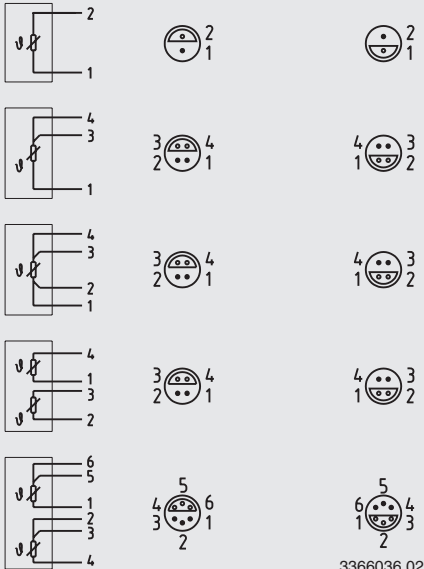
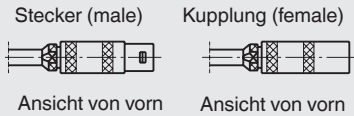
Ohne Stecker



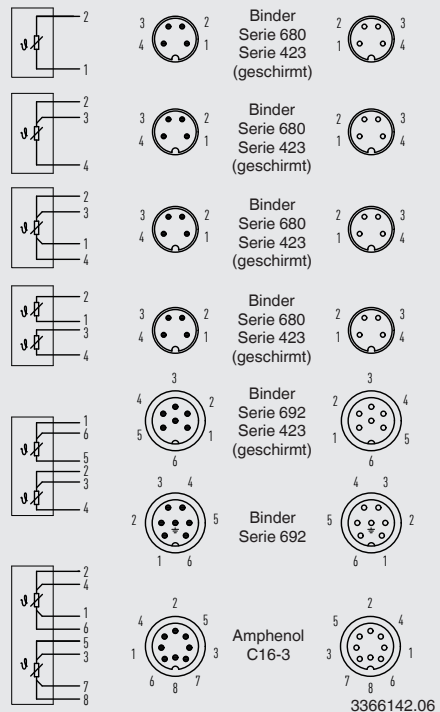
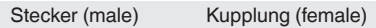
3160629.06

DE

Lemos-Stecker



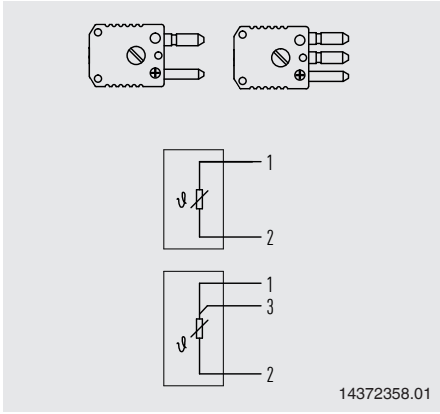
Schraub-Steck-Verbinder (Amphenol, Binder)



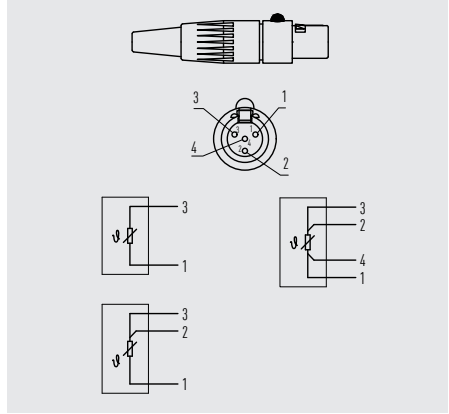
14150915.08 04/2024 EN/DE/FR/ES

5. Inbetriebnahme und Betrieb

Thermostecker (RTD, male)

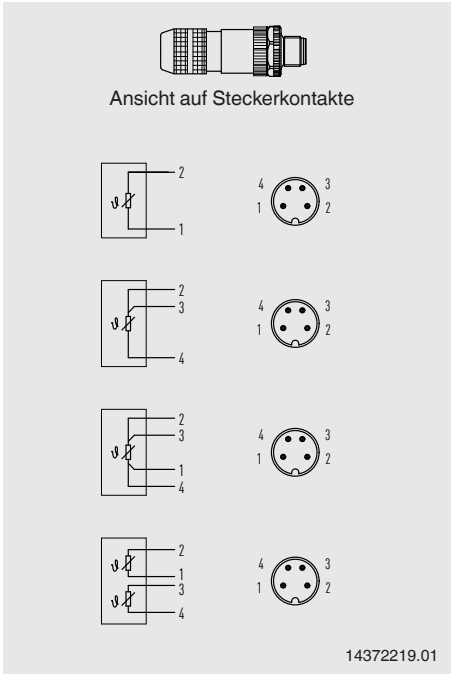


XLR-Mini-Stecker (female)

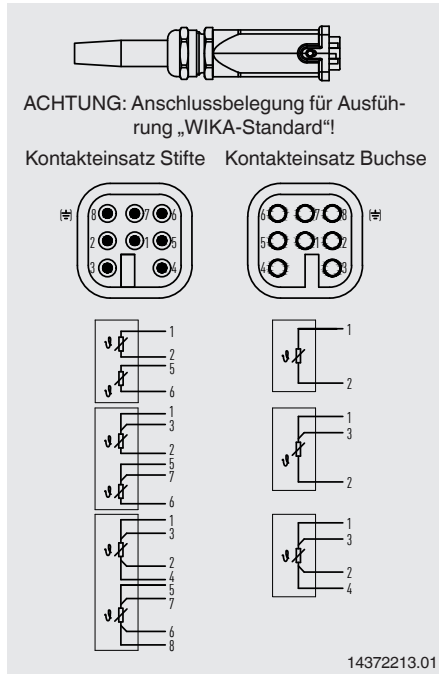


DE

M12x1 Schraub-/Steckverbinder (female)



Harting-Stecker



14150915.08 04/2024 EN/DE/FR/ES

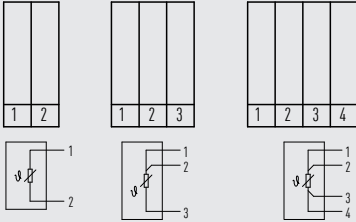
5. Inbetriebnahme und Betrieb

Reihenklemmen

DE

1 x Pt100 oder Pt1000

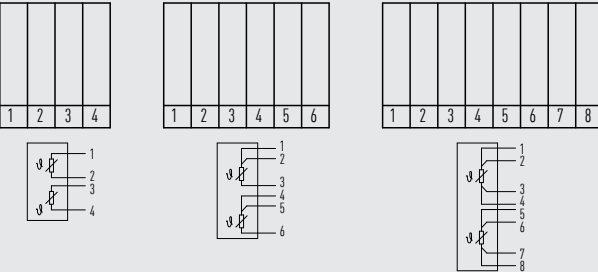
2-, 3- oder 4-Leiter-Schaltung



14382009.01

2 x Pt100

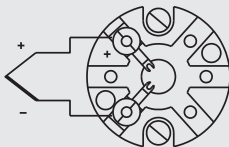
2-, 3- oder 4-Leiter-Schaltung



5.3.2 Thermoelemente

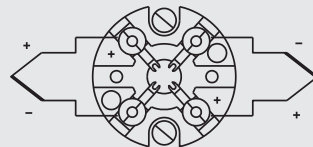
Mit Anschlusssockel

Einfach-Thermoelement



Für die Zuordnung Polarität - Klemme gilt die farbliche Kennzeichnung der Plus-Pole am Gerät

Doppel-Thermoelement



3166822.03

Farbkennzeichnung der Kabellitzen

Sensortyp	Norm	Plus-Pol	Minus-Pol
K	IEC 60584	Grün	Weiß
J	IEC 60584	Schwarz	Weiß
E	IEC 60584	Violett	Weiß
N	IEC 60584	Rosa	Weiß

14150915.08 04/2024 EN/DE/FR/ES

5. Inbetriebnahme und Betrieb

Mit Kabel oder Stecker

	Kabel 3171986.01	Lemosa-Stecker, male am Kabel 3374896.01	Binder-Stecker, male am Kabel (Schraub-Steck-Verbindung) 3374900.01a
Kennzeichnung der Adernenden siehe Tabelle			
Einfach-Thermoelement			
Doppel-Thermoelement			
Thermostecker	Plus-Pol und Minus-Pol sind gekennzeichnet. Bei doppelten Thermoelementen werden zwei Thermostecker verwendet.		

DE

5.4 Anzugsdrehmomente

Verbindung zwischen Kabel und Kabelverschraubung
Die Druckschraube fest in das Zwischenstück einschrauben (geeignete Werkzeuge verwenden.)

5.4.1 Anzugsdrehmomente zwischen Kabelverschraubung (Kunststoff) und Anschlusskopf

Verbindung zwischen Kabelverschraubung und Anschlusskopf

Gewinde	Anzugsdrehmomente
M20 x 1,5	12 Nm
½ NPT	T.F.F.T 2 - 3 ¹⁾

1) Umdrehungen nach handfestem Anziehen („turns from finger tight (T.F.F.T)“)

5.4.2 Anzugsdrehmomente für Klemmverschraubungen

Dichtung	Umdrehungen ¹⁾	Max. Druck in bar
Klemmring CrNi-Stahl	1 ¼ ... 1 ½	100
Schneidring CrNi-Stahl	1 ¼ ... 1 ½	100
Klemmring PTFE	1 ¼ ... 1 ½	8

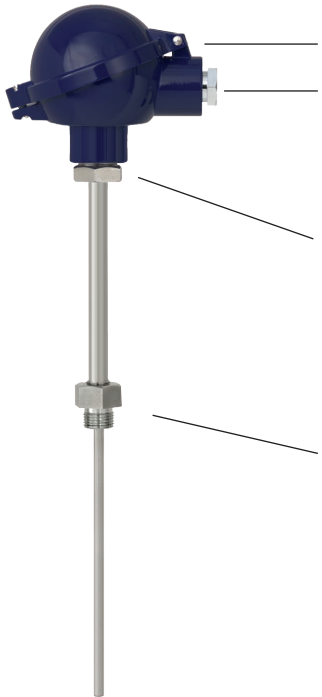
1) Umdrehungen nach handfestem Anziehen („turns from finger tight (T.F.F.T)“)

14150915.08 04/2024 EN/DE/FR/ES

5. Inbetriebnahme und Betrieb

5.4.3 Anzugsdrehmomente für das Thermometer

DE



Anschlusskopf
BS, BSZ, BSZ-H, BSS, BSS-H, BSZ-K, BSZ-HK, KN4-A)
Abbildung zeigt Anschlusskopf BSZ

Gewinde	Anzugsdrehmomente	
	Aluminium	CrNi-Stahl
M20 x 1,5	20 Nm	12 Nm
½ NPT	20 Nm	T. F. F. T 2-3 ¹⁾

1) Umdrehungen nach handfestem Anziehen („turns from finger tight (T.F.F.T.)“)

Anzugsdrehmomente zwischen Anschlusskopf und Halsrohr

Gewinde	Anzugsdrehmomente	
	Werkstoff Anschlusskopf	
	Aluminium	CrNi-Stahl
½ NPT	Verbindung darf vom Anwender nicht gelöst werden.	
M24 x 1,5 mit Druckschraube	27 Nm	30 Nm

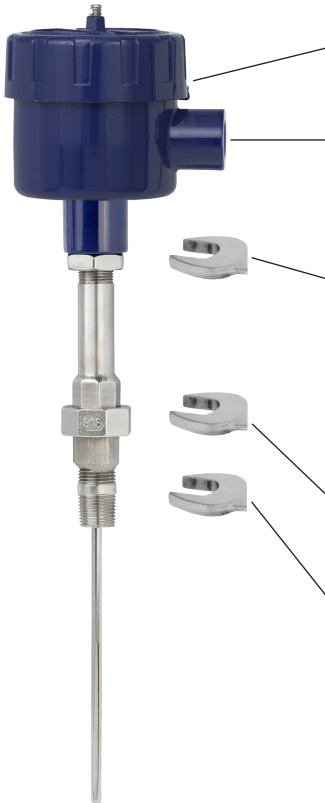
Anzugsdrehmomente für Anschluss zum Schutzrohr

Gewinde	Anzugsdrehmomente
½ NPT	30 Nm
¾ NPT	40 Nm
G ½ B	35 Nm
G ¾ B	40 Nm
M14 x 1,5	27 Nm
M18 x 1,5	35 Nm
M20 x 1,5	37 Nm
M27 x 1,5	42 Nm

- Das Gerät nur über die Schlüssel­flächen mit einem geeigneten Werkzeug und dem vorgeschriebenen Drehmoment ein- bzw. ausschrauben.
- Das richtige Drehmoment ist abhängig von der Dimension des Anschlussgewindes sowie der verwendeten Dichtung (Form/Werkstoff).
- Zum Ein- bzw. Ausschrauben nicht den Anschlusskopf als Angriffsfläche verwenden.
- Beim Einschrauben beachten, dass die Gewindegänge nicht verkantet werden.
- NPT-Gewinde zum Kopf dürfen vom Kunden nicht gelöst werden. An NPT-Gewinden zum Schutzrohr ist werksseitig ein PTFE/PFA-Schmiermittel appliziert. Dieses muss erneuert werden, wenn das Gewinde vom Anwender gelöst wurde.

14150915.08 04/2024 EN/DE/FR/ES

5.4.4 Anzugsdrehmomente für das Thermometer



(1/4000, 7/8000, PIH)
Abbildung zeigt Anschlusskopf 7/8000

Kabelverschraubung (metallisch)	
Gewinde	Anzugsdrehmomente
½ NPT	20 Nm
¾ NPT	25 Nm
M20 x 1,5	20 Nm

DE

Anzugsdrehmomente zwischen Anschlusskopf und Halsrohr

Gewinde	Anzugsdrehmomente
½ NPT	Verbindung darf vom Anwender nicht gelöst werden.
¾ NPT	Verbindung darf vom Anwender nicht gelöst werden.
M20 x 1,5 mit Kontermutter	Nach Lösen der Kontermutter kann der IP-Schutzgrad nicht mehr garantiert werden.

Auslieferungszustand: Handfest angezogen (ca. 5 Nm)
Nach der Ausrichtung des Anschlusskopfs muss die Verbindung mit 50 ... 60 Nm fixiert werden.

Anzugsdrehmomente für Anschluss zum Schutzrohr

Gewinde	Anzugsdrehmomente
½ NPT	30 Nm
¾ NPT	40 Nm
G ½ B	35 Nm
G ¾ B	40 Nm
M14 x 1,5	27 Nm
M18 x 1,5	35 Nm
M20 x 1,5	37 Nm
M27 x 1,5	42 Nm

- Das Gerät nur über die Schlüssel­flächen mit einem geeigneten Werkzeug und dem vorgeschriebenen Drehmoment ein- bzw. ausschrauben.
- Das richtige Drehmoment ist abhängig von der Dimension des Anschlussgewindes sowie der verwendeten Dichtung (Form/Werkstoff).
- Zum Ein- bzw. Ausschrauben nicht den Anschlusskopf als Angriffsfläche verwenden.
- Beim Einschrauben beachten, dass die Gewindegänge nicht verkantet werden.
- Werden M20 x 1,5 Gewinde mit Kontermutter zum Kopf gelöst, kann der IP-Schutzgrad nicht mehr garantiert werden. NPT-Gewinde zum Kopf dürfen vom Kunden nicht gelöst werden. An NPT-Gewinden zum Schutzrohr ist werksseitig ein PTFE/PFA-Schmiermittel appliziert. Diese muss erneuert werden, wenn das Gewinde vom Anwender gelöst wurde.
- Die Gewinde der teilbaren Verschraubung (Union) müssen nicht mit Schmiermittel behandelt werden.

14150915.08 04/2024 EN/DE/FR/ES

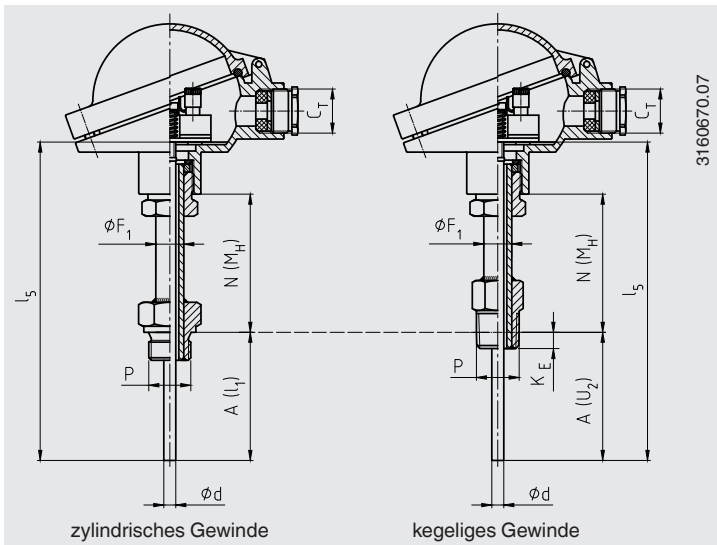
5. Inbetriebnahme und Betrieb

5.5 Temperaturverschleppung aus dem Prozess

Ein Wärmerückfluss aus dem Prozess, welcher die Betriebstemperatur des Transmitters (Digitalanzeige) oder Gehäuses überschreitet, ist nicht zulässig und durch geeignete Wärmeisolierung oder ein entsprechend langes Halsrohr zu verhindern.

Erhöhung des Abstands der Anschlusskomponenten zu heißen Oberflächen

Die Halslänge (N) ist als Abstand zwischen Unterkante Anschlusskopf oder Gehäuse zur wärmestrahlenden Oberfläche definiert. Die zu erwartende Temperatur an der Unterkante des Anschlusskopfs bzw. Gehäuses beträgt dabei maximal 80 °C [176 °F]. Die Bedingungen für eingebaute Transmitter oder Anzeigen sind zu berücksichtigen, gegebenenfalls ist die Halslänge entsprechend zu erhöhen.



Als Hilfestellung zur Auswahl der minimalen Halslänge wurden die folgenden Richtwerte ermittelt.

Maximale Messstofftemperatur	Empfehlung für Maß N	Empfehlung für Maß X
100 °C [212 °F]	-	-
135 °C [275 °F]	20 mm [0,79 in]	20 mm [0,79 in]
200 °C [392 °F]	50 mm [1,97 in]	50 mm [1,97 in]
> 200 °C [392 °F] ≤ 450 °C [842 °F]	100 mm [3,94 in]	100 mm [3,94 in]

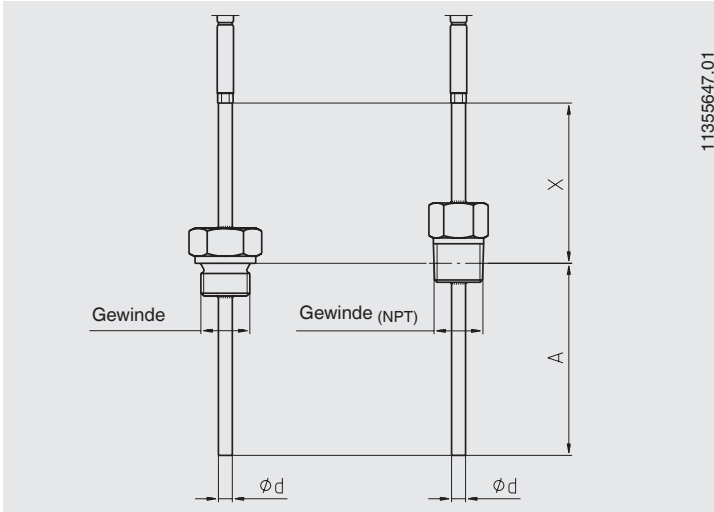
Bei Thermometern mit Anschlussleitung wird die Temperatur an der Übergangsstelle zum Anschlusskabel eingeschränkt. Diese beträgt max. 150 °C [302 °F]. Durch Auswahl des Maßes X kann sichergestellt werden, dass die zulässige Temperatur nicht überschritten wird.

5. Inbetriebnahme und Betrieb

Erhöhung des Abstands der Anschlusskomponenten zu heißen Oberflächen

Die Länge X ist als Abstand zwischen der Übergangsstelle auf dem Kabel zur wärme-strahlenden Oberfläche definiert. Die zu erwartende Temperatur an der Übergangsstelle beträgt dabei maximal 120 °C [248 °F].

- Gegebenenfalls die X-Länge entsprechend erhöhen.



5.6 Zusätzliche Hinweise für Geräte mit EHEDG und 3-A

5.6.1 Einhaltung der Konformität nach 3-A

Für eine 3-A-konforme Anbindung bei Milchrohrverschraubungen nach DIN 11851 geeignete Profildichtungen verwenden (z. B. SKS Komponenten BV oder Kieselmann GmbH).

DE

Hinweis:

Zur Einhaltung der 3-A-Zertifizierung muss einer der 3-A zugelassenen Prozessanschlüsse verwendet werden. Diese sind mit Logo im Datenblatt gekennzeichnet.

5.6.2 Einhaltung der EHEDG-Konformität

Für eine EHEDG-konforme Anbindung Dichtungen gemäß aktuellem EHEDG-Positionspapier verwenden.

Hersteller von Dichtungen

- Dichtung für Verbindungen nach DIN 32676 und BS 4825 Part 3:
z. B. Combifit International B.V.
- Dichtung für Verbindungen nach DIN 11851: z. B. Kieselmann GmbH
- VARINLINE®-Dichtungen: z. B. GEA Tuchenhagen GmbH

5.6.3 Montagehinweise

Nachfolgende Hinweise, insbesondere für EHEDG-zertifizierte und 3-A-konforme Geräte, beachten.

- Zur Einhaltung der EHEDG-Zertifizierung muss ein von der EHEDG empfohlener Prozessanschluss verwendet werden. Diese sind mit Logo im Datenblatt gekennzeichnet.
- Zur Einhaltung der Konformität nach 3-A-Standards muss ein 3-A-konformer Prozessanschluss verwendet werden. Diese sind mit Logo im Datenblatt gekennzeichnet.
- Elektrisches Thermometer inklusive Schutzrohr tottraumarm und leicht reinigbar montieren.
- Einbaulage des elektrischen Thermometers inklusive Schutzrohr, Einschweißstutzens und Instrumentierungs-T-Stücks soll selbstentleerend ausgeführt sein.
- Einbaulage darf keine schöpfende Stelle bilden oder eine Spülbeckenbildung verursachen.
- Bei der Prozessanbindung über ein Instrumentierungs-T-Stück, darf die Länge des Abzweigs (Anschluss zum Messgerät) nicht länger werden als der Innendurchmesser D des Abzweigs (Regel: $L \leq D$).
- Bei mehrteiligen Schutzrohren, die in den Abzweig hineinreichen, muss dieser Durchmesser d vom Innendurchmesser des Abzweigs D abgezogen werden (Regel: $L \leq D - d$).

5.6.4 Reinigungsprozess Cleaning-in-Place (CIP)

- Nur Reinigungsmittel verwenden, die für die eingesetzten Dichtungen geeignet sind.
- Reinigungsmittel dürfen weder abrasiv sein noch die Werkstoffe der messstoffberührten Teile korrosiv angreifen.
- Temperaturschocks oder schnelle Temperaturänderungen vermeiden. Die Temperaturdifferenz zwischen Reinigungsmittel und Klarspülung mit Wasser sollte möglichst gering sein. Negativbeispiel: Reinigung mit 80 °C [176 °F] und Klarspülung mit 4 °C [39 °F] kaltem Wasser.
- Bei tankmontierten Sensoren sind die Tankreinigungsvorrichtungen so zu positionieren, dass der Zustand des Sensors beurteilt werden kann und dieser einwandfrei gereinigt wird.

6. Störungen

Personal: Fachpersonal



GEFAHR!

Lebensgefahr durch Explosion

Durch Arbeiten in entzündlichen Atmosphären besteht Explosionsgefahr, die zum Tod führen kann.

- ▶ Störungen nur in nicht-explosionsgefährdeter Umgebung beseitigen.



WARNUNG!

Körperverletzungen, Sach- und Umweltschäden durch gefährliche Messstoffe

Bei Kontakt mit gefährlichen Messstoffen (z. B. Sauerstoff, Acetylen, brennbaren oder giftigen Stoffen) und gesundheitsgefährdenden Messstoffen (z. B. ätzend, giftig, krebserregend, radioaktiv) besteht die Gefahr von Körperverletzungen, Sach- und Umweltschäden.

Im Fehlerfall können am Gerät gefährliche Messstoffe mit extremer Temperatur (über 55 °C [131 °F]) anliegen.

- ▶ Bei diesen Messstoffen müssen über die gesamten allgemeinen Regeln hinaus die einschlägigen Vorschriften beachtet werden.



Können Störungen mit Hilfe der aufgeführten Maßnahmen nicht beseitigt werden, Gerät unverzüglich außer Betrieb setzen.

- ▶ Kontakt mit dem Hersteller aufnehmen.
- ▶ Bei notwendiger Rücksendung die Hinweise im Kapitel 8.2 „Rücksendung“ beachten.



Kontaktdaten siehe Kapitel 1 „Allgemeines“ oder Rückseite der Betriebsanleitung.

6. Störungen

DE

Störungen	Ursachen	Maßnahmen
Kein Signal/ Kabelbruch	Zu hohe mechanische Belastung oder Übertemperatur	Fühler oder Messeinsatz durch eine geeignete Ausführung ersetzen
Fehlerhafte Messwerte	Sensordrift durch Übertemperatur	Fühler oder Messeinsatz durch eine geeignete Ausführung ersetzen
	Sensordrift durch chemischen Angriff	<ul style="list-style-type: none"> ■ Messstoff analysieren ■ Besser geeignetes Material wählen oder Schutzrohr regelmäßig erneuern
Fehlerhafte Messwerte (zu gering)	Feuchtigkeitseintritt an Kabel oder Messeinsatz	Fühler oder Messeinsatz durch eine geeignete Ausführung ersetzen
Fehlerhafte Messwerte und zu lange Ansprechzeiten	Falsche Einbaugeometrie, z. B. zu geringe Einbautiefe oder zu hohe Wärmeableitung	Der temperaturempfindliche Bereich des Sensors muss innerhalb des Messstoffs liegen, Oberflächenmessungen müssen isoliert sein
	Ablagerungen auf dem Sensor oder Schutzrohr	Ablagerungen entfernen
Fehlerhafte Messwerte (bei Thermoelementen)	Parasitäre Spannungen (Thermospannungen, galvanische Spannung) oder falsche Ausgleichsleitung	Geeignete Ausgleichsleitung verwenden
Anzeige des Messwerts springt	Leistungsbruch im Anschlusskabel oder Wackelkontakt durch mechanische Überbelastung	Fühler oder Messeinsatz durch eine geeignete Ausführung ersetzen z. B. mit Knickschutzfeder oder dickerem Leitungsquerschnitt
Korrosion	Zusammensetzung des Messstoffs nicht wie angenommen, geändert oder falsches Schutzrohrmaterial gewählt	<ul style="list-style-type: none"> ■ Messstoff analysieren ■ Besser geeignetes Material wählen oder Schutzrohr regelmäßig erneuern
Signal gestört	Einstreuung durch elektrische Felder oder Erdschleifen	Geschirmte Anschlussleitungen verwenden, Abstand zu Motoren und leistungsführenden Leitungen erhöhen
	Erdschleifen	Potentiale beseitigen, galvanisch getrennte Trennbarrieren oder Transmitter verwenden

7. Wartung, Reinigung und Kalibrierung

Personal: Fachpersonal



Kontaktdaten siehe Kapitel 1 „Allgemeines“ oder Rückseite der Betriebsanleitung.

DE

7.1 Wartung

Dieses Gerät ist wartungsfrei.

Reparaturen sind ausschließlich vom Hersteller durchzuführen.

Nur Originalteile verwenden, siehe Kapitel 10 „Zubehör“.

7.2 Reinigung



VORSICHT!

Körperverletzungen, Sach- und Umweltschäden

Messstoffreste können zur Gefährdung von Personen, Umwelt und Einrichtung führen.

- ▶ Notwendige Schutzausrüstung tragen.
- ▶ Reinigungsvorgang nach Herstellervorgaben durchführen.



VORSICHT!

Sachschaden durch unsachgemäße Reinigung

Eine unsachgemäße Reinigung führt zur Beschädigung des Geräts.

- ▶ Keine aggressiven Reinigungsmittel verwenden.
- ▶ Keine harten und spitzen Gegenstände zur Reinigung verwenden.
- ▶ Keine scheuernden Tücher oder Schwämme verwenden.

1. Bei Reinigung von außen ("Wash Down") zulässige Temperatur und Schutzart beachten.
2. Vor der Reinigung das Gerät auf Raumtemperatur abkühlen lassen.
3. Das Gerät mit einem feuchten Tuch reinigen.
Elektrische Anschlüsse nicht mit Feuchte in Berührung bringen.
4. Ausgebautes Gerät spülen bzw. säubern, um Personen und Umwelt vor Gefährdung durch anhaftende Messstoffreste zu schützen.

7.3 Kalibrierung

Es wird empfohlen das Gerät in regelmäßigen Zeitabständen kalibrieren zu lassen. (Widerstandsthermometer: ca. 24 Monate, Thermoelemente: ca. 12 Monate). Dieser Zeitraum verringert sich abhängig vom Einsatzfall. Die Kalibrierung kann durch den Hersteller sowie mit Kalibriergeräten vor Ort durch qualifiziertes Fachpersonal erfolgen.

7.3.1 Geräte mit herausnehmbarem Messeinsatz

(Typen Tx10-B, Tx10-C, Tx10-D, Tx10-F, TR10-J, Tx10-L, Tx10-O, Tx12-B, Tx12-M, TR22-A, TR22-B, TR55, Tx81)

Zur Kalibrierung wird der Messeinsatz aus dem Thermometer entnommen. Die Mindestlänge (metallischer Teil des Fühlers) zur Durchführung einer Messgenauigkeitsprüfung 3.1 oder DAkkS beträgt 100 mm [3,94 in].

7.3.2 Geräte mit nicht herausnehmbarem Messeinsatz oder Kabelfühler

(Typen Tx10-H, TR21-A, TR21-B, TR21-C, TR31, TR33, TR34, TR36, Tx40, TR41, Tx50, Tx53, TR75)

Die Mindestlänge (metallischer Teil des Fühlers bzw. die Länge des Fühlers unterhalb des Prozessanschlusses) zur Durchführung einer Messgenauigkeitsprüfung 3.1 oder DAkkS beträgt 100 mm [3,94 in].

7.3.3 Messeinsätze

(Typen Tx10-A, Tx10-K, TR11-A, Tx12-A)

Die Mindestlänge zur Durchführung einer Messgenauigkeitsprüfung 3.1 oder DAkkS beträgt 100 mm [3,94 in].

7.3.4 Stufenthermometer

(Typen TC94, Tx95, TC96-O, TC96-R, TC96-M, TC97)

Die Einzelthermometer werden vor der Endmontage kalibriert.

7.3.5 Frontbündige und In-Line-Geräte

(Typen TR20, TR25)

Das Thermometer wird zur Kalibrierung in ein Flüssigkeitsbad eingetaucht.

7.3.6 Nicht kalibrierbar

(Typen TR60, Tx90)

Standardausführungen dieser Geräte sind nicht kalibrierbar.

8. Demontage, Rücksendung und Entsorgung

Personal: Fachpersonal



WARNUNG!

Körperverletzung

Bei der Demontage besteht Gefahr durch gefährliche Messstoffe und hohe Drücke.

- ▶ Angaben im Sicherheitsdatenblatt für den entsprechenden Messstoff beachten.
- ▶ Druckmessgerät/Messanordnung/Prüf- und Kalibrieraufbauten im drucklosen und abgekühlten Zustand demontieren.
- ▶ Das ausgebaute Gerät (nach Betrieb) spülen bzw. säubern, um Personen und Umwelt vor Gefährdungen durch anhaftende Messstoffreste zu schützen.



WARNUNG!

Verbrennungsgefahr

Beim Ausbau besteht Gefahr durch austretende, gefährlich heiße Messstoffe.

- ▶ Vor dem Ausbau das Gerät auf Raumtemperatur abkühlen lassen.



WARNUNG!

Körperverletzungen, Sach- und Umweltschäden durch gefährliche Messstoffe

Bei Kontakt mit gefährlichen Messstoffen (z. B. Sauerstoff, Acetylen, brennbaren oder giftigen Stoffen) und gesundheitsgefährdenden Messstoffen (z. B. ätzend, giftig, krebserregend, radioaktiv) besteht die Gefahr von Körperverletzungen, Sach- und Umweltschäden. Im Fehlerfall können am Gerät gefährliche Messstoffe anhaften bzw. austreten.

- ▶ Bei diesen Messstoffen müssen über die gesamten allgemeinen Regeln hinaus die einschlägigen Vorschriften beachtet werden.



WARNUNG!

Körperverletzungen, Sach- und Umweltschäden durch gefährliche Messstoffe

Bei Kontakt mit gefährlichen Messstoffen (z. B. Sauerstoff, Acetylen, brennbaren oder giftigen Stoffen) und gesundheitsgefährdenden Messstoffen (z. B. ätzend, giftig, krebserregend, radioaktiv) besteht die Gefahr von Körperverletzungen, Sach- und Umweltschäden. Im Fehlerfall können am Gerät gefährliche Messstoffe mit extremer Temperatur (über 55 °C [131 °F]) anliegen.

- ▶ Bei diesen Messstoffen müssen über die gesamten allgemeinen Regeln hinaus die einschlägigen Vorschriften beachtet werden.

8. Demontage, Rücksendung und Entsorgung



WARNUNG!

Körperverletzungen, Sach- und Umweltschäden durch gefährliche Messstoffe

Bei Kontakt mit gefährlichen Messstoffen (z. B. Sauerstoff, Acetylen, brennbaren oder giftigen Stoffen) und gesundheitsgefährdenden Messstoffen (z. B. ätzend, giftig, krebserregend, radioaktiv) besteht die Gefahr von Körperverletzungen, Sach- und Umweltschäden.

Im Fehlerfall können am Gerät gefährliche Messstoffe unter hohem Druck oder Vakuum anliegen.

- ▶ Bei diesen Messstoffen müssen über die gesamten allgemeinen Regeln hinaus die einschlägigen Vorschriften beachtet werden.

DE

8.1 Demontage

Thermometer nur im drucklosen Zustand demontieren.

8.2 Rücksendung

Beim Versand des Geräts unbedingt beachten:

- Alle an WIKA gelieferten Geräte müssen frei von Gefahrstoffen (Säuren, Laugen, Lösungen, etc.) sein und sind daher vor der Rücksendung zu reinigen, siehe Kapitel 7.2 „Reinigung“.
- Zur Rücksendung des Geräts die Originalverpackung oder eine geeignete Transportverpackung verwenden.



Bei Gefahrstoffen das Sicherheitsdatenblatt für den entsprechenden Messstoff beilegen.

Um Schäden zu vermeiden:

1. Das Gerät in der Verpackung platzieren und gleichmäßig dämmen.
2. Wenn möglich einen Beutel mit Trocknungsmittel der Verpackung beifügen.
3. Sendung als Transport eines hochempfindlichen Messgeräts kennzeichnen.



Hinweise zur Rücksendung befinden sich in der Rubrik „Service“ auf unserer lokalen Internetseite (Rücksendungs-Applikation).

8. Demontage, Rücksendung und Entsorgung

8.3 Entsorgung

Durch falsche Entsorgung können Gefahren für die Umwelt entstehen. Gerätekomponenten und Verpackungsmaterialien entsprechend den landesspezifischen Abfallbehandlungs- und Entsorgungsvorschriften umweltgerecht entsorgen.

DE



Nicht mit dem Hausmüll entsorgen. Für eine geordnete Entsorgung gemäß nationaler Vorgaben sorgen.

9. Technische Daten

9. Technische Daten

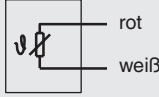
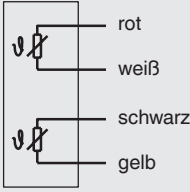
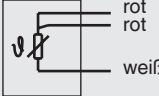
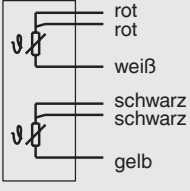
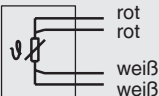
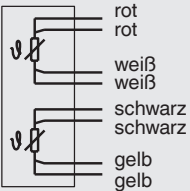
DE

Messelement Widerstandsthermometer

Art des Messelements Pt100, Pt1000

Messtrom 0,1 ... 1,0 mA

Schaltungsart

Einfach-Elemente		Doppel-Elemente	
1 x 2-Leiter		2 x 2-Leiter	
1 x 3-Leiter		2 x 3-Leiter	
1 x 4-Leiter		2 x 4-Leiter ¹⁾	

Gültigkeitsgrenzen der Klassengenauigkeit nach IEC 60751

Klasse B $\pm (0,30 + 0,0050 t)$ ²⁾	<ul style="list-style-type: none"> ■ -196 ... +600 °C [-321 ... +1.112 °F] ■ -196 ... +450 °C [-321 ... +842 °F] ■ -50 ... +500 °C [-58 ... +932 °F] ■ -50 ... +250 °C [-58 ... +482 °F]
Klasse A ³⁾ $\pm (0,15 + 0,0020 t)$ ²⁾	<ul style="list-style-type: none"> ■ -100 ... +450 °C [-148 ... +842 °F] ■ -30 ... +300 °C [-22 ... +572 °F]
Klasse AA ³⁾ $\pm (0,10 + 0,0017 t)$ ²⁾	<ul style="list-style-type: none"> ■ -50 ... +250 °C [-58 ... +482 °F] ■ 0 ... 150 °C [32 ... 302 °F]

- 1) Nicht bei Durchmesser 3 mm [0,118 in] und Durchmesser $\frac{1}{8}$ in [3,2 mm]
- 2) | t | ist der Zahlenwert der Temperatur in °C ohne Berücksichtigung des Vorzeichens
- 3) Nicht bei Schaltungsart 2-Leiter

9. Technische Daten

Die Kombinationen 2-Leiter-Schaltungsart und Klasse A bzw. Klasse AA sind nicht zulässig, da der Leitungswiderstand der MIMS-Leitung und der Anschlussleitung der höheren Sensorgenauigkeit entgegen wirkt.

Maximale Fühlerlänge inklusive Anschlusskabel:

- Klasse B, 3-Leiter-Schaltung: ~ 30 m [98 ft]
- Klasse A, 3-Leiter-Schaltung: ~ 10 m [33 ft]
- Klasse AA, 3-Leiter-Schaltung: ~ 3 m [10 ft]

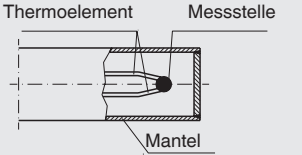
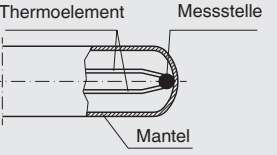
DE

Größere Fühler-/Kabellängen sollten in 4-Leiter-Schaltung ausgeführt werden, da diese Schaltungsart keinen Längen-Einfluss auf die Genauigkeit hat.

→ Detaillierte Angaben zu Pt100-Sensoren siehe Technische Information IN 00.17 unter www.wika.de.

Die Tabelle zeigt die in der jeweiligen Norm aufgeführten Temperaturbereiche, in denen die Grenzabweichungen (Klassengenauigkeiten) gültig sind.

Messelement Thermoelement

Art des Messelements	Thermoelement nach IEC 60584-1 bzw. ASTM E230 Typen K, J, E, N, T	
Ausführung der Fühlerspitze (Messstelle)	Ungrounded (Messstelle isoliert verschweißt, Standard)	Grounded (Messstelle nicht isoliert, mit dem Boden verschweißt)
		

Gültigkeitsgrenzen der Klassengenauigkeit nach IEC 60584-1

Typ	Klasse	Temperaturbereich (°C)	Temperaturbereich (°F)
Typ K	Klasse 2	-40 ... +1.200 °C	[-40 ... +2.192 °F]
	Klasse 1	-40 ... +1.000 °C	[-40 ... +1.832 °F]
Typ J	Klasse 2	-40 ... +750 °C	[-40 ... +1.382 °F]
	Klasse 1	-40 ... +750 °C	[-40 ... +1.382 °F]
Typ E	Klasse 2	-40 ... +900 °C	[-40 ... +1.652 °F]
	Klasse 1	-40 ... +800 °C	[-40 ... +1.472 °F]
Typ N	Klasse 2	-40 ... +1.200 °C	[-40 ... +2.192 °F]
	Klasse 1	-40 ... +1.000 °C	[-40 ... +1.832 °F]
Typ T	Klasse 2	-40 ... +350 °C	[-40 ... +662 °F]
	Klasse 1	-40 ... +350 °C	[-40 ... +662 °F]

14150915.08 04/2024 EN/DE/FR/ES

9. Technische Daten

Messelement Thermoelement		
Gültigkeitsgrenzen der Klassengenauigkeit nach ASTM E230		
Typ K	Standard	0 ... 1.260 °C [32 ... 2.300 °F]
	Spezial	0 ... 1.260 °C [32 ... 2.300 °F]
Typ J	Standard	0 ... 760 °C [32 ... 1.400 °F]
	Spezial	0 ... 760 °C [32 ... 1.400 °F]
Typ E	Standard	0 ... 870 °C [32 ... 1.598 °F]
	Spezial	0 ... 870 °C [32 ... 1.598 °F]
Typ N	Standard	0 ... 1.260 °C [32 ... 2.300 °F]
	Spezial	0 ... 1.260 °C [32 ... 2.300 °F]
Typ T	Standard	0 ... 370 °C [32 ... 698 °F]
	Spezial	0 ... 370 °C [32 ... 698 °F]

DE

Die Tabelle zeigt die in der jeweiligen Norm aufgeführten Temperaturbereiche, in denen die Grenzabweichungen (Klassengenauigkeiten) gültig sind.

Die tatsächliche Betriebstemperatur des Thermometers wird begrenzt sowohl durch die maximal zulässige Einsatztemperatur und den Durchmesser des Thermoelements und der Mantelleitung, als auch durch die maximal zulässige Einsatztemperatur des Schutzrohrwerkstoffs.

Bei der Grenzabweichung von Thermoelementen ist eine Vergleichsstellentemperatur von 0 °C [32 °F] zugrunde gelegt.

9. Technische Daten

Die technischen Daten sind aufgrund der hohen Varianz umfangreich. In dieser Betriebsanleitung wird daher auf die entsprechenden Datenblätter und Bestellunterlagen verwiesen.

■ Widerstandsthermometer

Typ	Datenblatt
TR10-0	TE 61.01
TR10-A	TE 60.01
TR10-B	TE 60.02
TR10-C	TE 60.03
TR10-D	TE 60.04
TR10-F	TE 60.06
TR10-H	TE 60.08
TR10-J	TE 60.10
TR10-K	TE 60.11
TR11-A	TE 60.13
TR11-C	TE 60.14
TR11-H	-
TR15	-
TR20	TE 60.20
TR22-A	TE 60.22
TR22-B	TE 60.23
TR25	TE 60.25
TR40	TE 60.40
TR41	TE 60.41
TR50	TE 60.50
TR53	TE 60.53
TR55	TE 60.55
TR58	-
TR60	TE 60.60
TR81	TE 60.81
TR95	TE 70.01

■ Thermoelemente

Typ	Datenblatt
TC10-0	TE 66.01
TC10-A	TE 65.01
TC10-B	TE 65.02
TC10-C	TE 65.03
TC10-D	TE 65.04
TC10-F	TE 65.06
TC10-H	TE 65.08
TC10-K	TE 65.11
TC15	-
TC40	TE 65.40
TC50	TE 65.50
TC53	TE 65.53
TC55	TE 65.55
TC81	TE 65.81
TC94	TE 70.13
TC95	TE 70.01
TC96-O	TE 70.11
TC96-R	TE 70.10
TC96-M	TE 70.14
TC97	TE 70.12

DE

10. Zubehör

10. Zubehör



Dichtungen können unter Angabe der Gewinde mit WIKA-Bestellnummer und/oder Bezeichnung bei WIKA bezogen werden, siehe Tabelle.

WIKA Bestellnummer	Bezeichnung	Geeignet für Gewinde
11349981	nach DIN 7603 Form C 14 x 18 x 2 -CuFA	G ¼, M14 x 1,5
11349990	nach DIN 7603 Form C 18 x 22 x 2 -CuFA	M18 x 1,5, G ¾
11350008	nach DIN 7603 Form C 21 x 26 x 2 -CuFA	G ½, M20 x 1,5
11350016	nach DIN 7603 Form C 27 x 32 x 2,5 -CuFA	G ¾, M27 x 2
11367416	nach DIN 7603 Form C 20 x 24 x 2 -CuFA	M20 x 1,5
1248278	nach DIN 7603 D21,2 x D25,9 x 1,5 -Al	G ½, M20 x 1,5
3153134	nach DIN 7603 Form C D14,2 x D17,9 x 2 -StFA	G ¼, M14 x 1,5
3361485	nach DIN 7603 Form C D33,3 x D38,9 x 2,5 -StFA	G 1

Legende:

CuFA = Kupfer, max. 45HB^a; mit einer Füllung aus asbestfreiem Dichtungswerkstoff

Al = Aluminium Al99; F11, 32 bis 45 HB^b

StFA = Weicheisen, 80 bis 95 HB^a; mit einer Füllung aus asbestfreiem Dichtungswerkstoff

→ WIKA-Zubehör finden Sie online unter www.wika.de.

Sommaire

1. Généralités	76
2. Sécurité	78
3. Transport, emballage et stockage	81
4. Conception et fonction	82
5. Mise en service et utilisation	84
6. Dysfonctionnements	98
7. Entretien, nettoyage et étalonnage	100
8. Démontage, retour et mise au rebut	102
9. Spécifications	105
10. Accessoires	109

Déclarations de conformité disponibles sur www.wika.fr.

1. Généralités

Types concernés :

- ▶ Ce mode d'emploi s'applique à une large gamme de produits. Pour consulter la liste exacte, voir le chapitre 9 "Spécifications".

1. Généralités

FR

- L'instrument décrit dans ce mode d'emploi est conçu et fabriqué selon les dernières technologies en vigueur. Tous les composants sont soumis à des critères de qualité et d'environnement stricts durant la fabrication. Nos systèmes de gestion sont certifiés selon ISO 9001 et ISO 14001.
- Ce mode d'emploi donne des indications importantes concernant l'utilisation de l'instrument. Il est possible de travailler en toute sécurité avec ce produit en respectant toutes les consignes de sécurité et d'utilisation.
- Respecter les prescriptions locales de prévention contre les accidents et les prescriptions générales de sécurité en vigueur pour le domaine d'application de l'instrument.
- Le mode d'emploi fait partie de l'instrument et doit être conservé à proximité immédiate de l'instrument et accessible à tout moment pour le personnel qualifié. Confier le mode d'emploi à l'utilisateur ou au propriétaire ultérieur de l'instrument.
- Le personnel qualifié doit, avant de commencer toute opération, avoir lu soigneusement et compris le mode d'emploi.
- En cas d'interprétation différente de la version traduite et de la version anglaise du mode d'emploi, c'est la version anglaise qui prévaut.
- Dans ce document, le masculin générique est utilisé à des fins de lisibilité. Les identités féminines et les autres identités de genre sont explicitement incluses.
- Le cas échéant, la documentation du fournisseur est également considérée comme faisant partie du produit, en plus du présent mode d'emploi.
- Les conditions générales de vente mentionnées dans les documents de vente s'appliquent.
- Sous réserve de modifications techniques.
- Pour obtenir d'autres informations :
 - Site Internet : www.wika.fr / www.wika.com
 - Fiche technique correspondante : voir chapitre 9 "Spécifications"
 - Contact : Tél. :+01 71 68 10 00
info@wika.fr

1. Généralités

FR

1.1 Abréviations, définitions

■	Puce
▶	Instructions
1. ... x.	Suivre les instructions étape par étape
⇒	Résultat des instructions
→	Voir ... renvois
RTD	Détecteur de température à résistance
TR	Sonde à résistance
TC	Thermocouple
Câble MIMS	Câble à gaine en métal et isolation minérale

1.2 Explication des symboles



AVERTISSEMENT !

... indique une situation présentant des risques susceptibles de provoquer la mort ou des blessures graves si elle n'est pas évitée.



ATTENTION !

... indique une situation potentiellement dangereuse et susceptible de provoquer de légères blessures ou des dommages matériels et environnementaux si elle n'est pas évitée.



DANGER !

... indique les dangers liés au courant électrique. Danger de blessures graves ou mortelles en cas de non respect des consignes de sécurité.



AVERTISSEMENT !

... indique une situation présentant des risques susceptibles de provoquer des brûlures dues à des surfaces ou liquides chauds si elle n'est pas évitée.



Information

... met en exergue les conseils et recommandations utiles de même que les informations permettant d'assurer un fonctionnement efficace et normal.

2. Sécurité

2.1 Utilisation conforme à l'usage prévu

Les thermomètres décrits ici conviennent à des fins de mesure de la température dans le cadre d'applications industrielles.

En fonction de la version, ces thermomètres peuvent être installés directement dans le process ou à l'intérieur d'un doigt de gant/tube de protection. Les versions des doigts de gant/tubes de protection sont au choix, mais il faut prendre en considération les données du processus opérationnel (température, pression, densité et débit).

FR

D'éventuelles réparations ou des modifications structurelles ne sont pas autorisées et entraînent l'extinction de la garantie et de l'agrément respective. Le fabricant n'est pas tenu pour responsable en cas de modifications de construction après la livraison des appareils.

Les pièces soudées, les raccords process, raccords coulissants, doigts de gant / tubes de protection ou boîtiers utilisés doivent être fabriqués de sorte qu'ils résistent à toutes les variables pouvant les influencer résultant du process, telles que la température, les forces de flux, la pression, la corrosion, la vibration et les impacts.

L'opérateur est responsable du choix des composants, du thermomètre ou du doigt de gant / tube de protection, et aussi du choix de leurs matériaux pour garantir leur fonctionnement en toute sécurité sur l'installation ou la machine.

L'adéquation des composants doit être prouvée par l'utilisateur, par ex. au moyen d'un calcul correspondant ou des tests.

En soumettant une offre, WIKA peut seulement donner des recommandations fondées sur notre expérience dans des applications similaires.

L'instrument est conçu et exécuté exclusivement pour une utilisation conforme à l'usage prévu décrit ici et ne doit être utilisé qu'en conséquence.

Les spécifications techniques mentionnées dans ce mode d'emploi doivent être respectées ; voir le chapitre 9 "Spécifications". Il est présumé que l'instrument est manipulé correctement et dans le respect de ses spécifications techniques.

Aucune réclamation ne peut être recevable en cas d'utilisation non conforme à l'usage prévu.

2.2 Utilisation inappropriée

- Toute utilisation différente ou au-delà de l'utilisation prévue est considérée comme inappropriée.
- S'abstenir de toutes modifications non autorisées sur l'instrument.
- Ne pas utiliser cet instrument dans des dispositifs de sécurité ou d'arrêt d'urgence.

2.3 Qualification du personnel



Les opérations décrites dans ce mode d'emploi ne doivent être effectuées que par un personnel ayant la qualification décrite ci-après.

Personnel qualifié

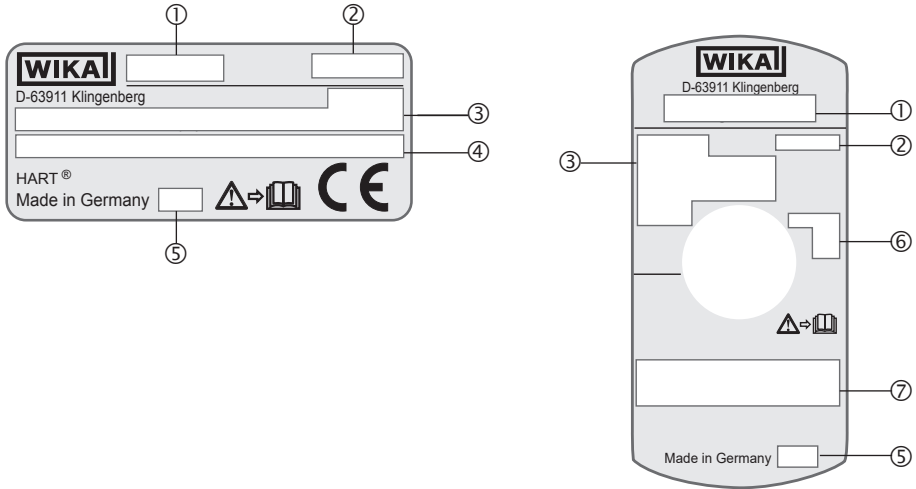
Le personnel qualifié, autorisé par l'opérateur, est, en raison de sa formation spécialisée, de ses connaissances dans le domaine de l'instrumentation de mesure et de régulation et de son expérience, de même que de sa connaissance des réglementations nationales et des normes en vigueur, en mesure d'effectuer les travaux décrits et d'identifier de façon autonome les dangers potentiels.

2. Sécurité

2.4 Etiquetage, marquages de sécurité

La lisibilité de l'étiquetage et des marquages de sécurité doit être préservée.

Plaque signalétique (exemples)






- ① Type
- ② Numéro de série
- ③ Informations concernant la version (élément de mesure, étendue de mesure ...)

Capteur conforme à la norme (sonde à résistance)

- FT = Résistance de mesure à couche mince, extrémité sensible

Capteur conforme à la norme (thermocouple)

- ④ Type de transmetteur (uniquement pour version avec transmetteur)
- ⑤ Année de fabrication
- ⑥ Symbole de capteur

- Point de mesure isolé  = soudure isolée
- Point de mesure non isolé  = soudé à la tige (non isolé)
- quasi non isolé  = Le thermomètre doit, en raison de ses faibles distances d'isolement entre le capteur et la gaine, être considéré comme non isolé.

- ⑦ Données relatives à l'agrément (version non-Ex = aucune information)

Symboles



Lire impérativement le mode d'emploi avant le montage et la mise en service de l'instrument !

3. Transport, emballage et stockage

3.1 Transport



ATTENTION !

Dommages liés à un transport inapproprié

Des dommages liés à un transport inapproprié peuvent se produire.

- ▶ Lors du déchargement des colis à la livraison comme lors du transport des colis en interne après réception, il faut procéder avec soin et observer les consignes liées aux symboles figurant sur les emballages.
- ▶ Lors du transport en interne, observer les instructions du chapitre 3.2 "Emballage et stockage".

Vérifier que l'instrument n'est pas endommagé.

En cas de dommages, ne pas mettre l'instrument en service et contacter immédiatement le fabricant.

Si l'instrument est transporté d'un environnement froid dans un environnement chaud, la formation de condensation peut provoquer un dysfonctionnement fonctionnel de l'instrument. Avant la remise en service, attendre que la température de l'instrument et la température ambiante s'équilibrent.

3.2 Emballage et stockage

N'enlever l'emballage qu'avant le montage.

Conserver l'emballage afin d'assurer une protection optimale pendant le transport (par exemple, changement de lieu d'utilisation, envoi en réparation).

Conditions admissibles sur le lieu de stockage :

- Température de stockage sans transmetteur intégré -40 ... +80 °C [-40 ... +176 °F]
- Température de stockage avec transmetteur intégré : voir mode d'emploi du transmetteur correspondant
- Humidité : 35 ... 85 % d'humidité relative (sans condensation)

3. Transport, emballage et ... / 4. Conception et fonction

Eviter les influences suivantes :

- Lumière solaire directe ou proximité d'objets chauds
- Vibrations mécaniques, chocs mécaniques (mouvements brusques en le posant)
- Suie, vapeur, poussière et gaz corrosifs
- Environnements dangereux, atmosphères inflammables

Conserver l'instrument dans l'emballage original dans un endroit qui satisfait aux conditions susmentionnées. Les instruments qui ont déjà été mis en service doivent être nettoyés avant d'être stockés ; voir chapitre 7.2 "Nettoyage".

Si l'emballage original n'est pas disponible, emballer et stocker l'instrument comme suit :

1. Placer l'instrument avec le matériau isolant dans l'emballage.
2. En cas d'entreposage pour une longue période (plus de 30 jours), mettre également un sachet absorbant d'humidité dans l'emballage.

4. Conception et fonction

4.1 Détail de la livraison

- Type d'instrument xxx
- Mode d'emploi
- Certificat d'étalonnage commandé
- Accessoires commandés

Comparer le détail de la livraison avec le bordereau de livraison.

4.2 Description

Les sondes à résistance et les thermocouples sont utilisés à des fins de mesure de la température dans le cadre d'applications industrielles.

Ce document décrit des versions standards d'instruments. Pour des applications en zone explosive, des versions spéciales d'instrument sont requises.

Pour plus de renseignements concernant le fonctionnement en zone explosive, voir les informations complémentaires pour le type de protection contre l'ignition correspondant (document séparé).

Les transmetteurs ou les afficheurs numériques intégrés au thermomètre possèdent leur propre mode d'emploi.

Les sondes à résistance du type TRxx sont composées d'une section de capteur en câble à gaine et isolation minérale ou en tube soudé. Dans les deux versions, la résistance de mesure sensible à la température est intégrée à l'extrémité du capteur.

4. Conception et fonction

Méthodes de connexion de capteur

■ Raccordement à 2 fils

La résistance de ligne vers le capteur est enregistrée en tant qu'erreur de mesure. Pour cette raison, ce type de connexion n'est pas conseillé lorsqu'on utilise des résistances de mesure Pt100 pour les classes de précision A et AA, car la résistance électrique des lignes de raccordement et leur propre dépendance à la température sont totalement comprises dans le résultat de mesure et donc le faussent.

■ Raccordement à 3 fils (version standard)

L'influence de la résistance de ligne est en grande partie compensée. La longueur maximum de la ligne de raccordement dépend de la section du conducteur et des options de compensation de l'électronique d'évaluation (transmetteur, affichage, contrôleur ou système de contrôle de process).

■ Raccordement à 4 fils

L'influence de la ligne de raccordement sur le résultat de mesure est complètement éliminée, car toutes les asymétries possibles dans la résistance de ligne de la ligne de raccordement sont aussi compensées. La longueur maximum de la ligne de raccordement dépend de la section du conducteur et des options de compensation de l'électronique d'évaluation (transmetteur, affichage, contrôleur ou système de contrôle de process). Une connexion à 4 fils peut également être utilisée comme connexion 2 fils ou 3 fils en débranchant les conducteurs superflus.

→ Pour obtenir des informations plus détaillées sur les méthodes de connexion des capteurs, voir le chapitre 9 "Spécifications" et les Informations techniques IN 00.17.

Les thermocouples de type TCxx sont composés d'un câble à gaine et isolation minérale. Le point de mesure sensible à la température du thermocouple est situé dans l'extrémité du capteur.

Le point de mesure (point de soudure) est isolé du câble à gaine qui l'entoure (version standard).

Pour des applications spécifiques, le point de mesure sera soudé à la base du câble à gaine.

→ Pour obtenir des informations plus détaillées sur les types de connexion des capteurs, voir le chapitre 9 "Spécifications" et les Informations techniques IN 00.23.

FR

5. Mise en service et utilisation

Personnel : personnel qualifié



AVERTISSEMENT !

Dommmages sur l'instrument de mesure dus à un fonctionnement en-dehors des limites supérieures ou inférieures de la température de fonctionnement

Une impossibilité d'observer la température de fonctionnement admissible, prenant également en compte la convection et la radiation, peut même causer des dommages au thermomètre lors de l'installation.

- ▶ Il ne faut pas dépasser les limites supérieure et inférieure de la plage de température de fonctionnement spécifiée.

FR



AVERTISSEMENT !

Blessures physiques et dommages aux équipements et à l'environnement causés par un fluide dangereux

Lors du contact avec un fluide dangereux (par exemple oxygène, acétylène, substances inflammables ou toxiques) ou un fluide nocif (par exemple corrosif, toxique, cancérigène, radioactif), il y a un danger de blessures physiques et de dommages aux équipements et à l'environnement.

En cas de défaillance, des fluides dangereux peuvent adhérer à l'instrument ou s'en échapper.

- ▶ Pour ces fluides, les codes et directives appropriés existants doivent être observés en plus des réglementations standard.



AVERTISSEMENT !

Blessures physiques et dommages aux équipements et à l'environnement causés par un fluide dangereux

Lors du contact avec un fluide dangereux (par exemple oxygène, acétylène, substances inflammables ou toxiques) ou un fluide nocif (par exemple corrosif, toxique, cancérigène, radioactif), il y a un danger de blessures physiques et de dommages aux équipements et à l'environnement.

En cas de défaillance, des fluides dangereux avec des températures extrêmes (plus de 55 °C [131 °F]) peuvent être présents au niveau de l'instrument.

- ▶ Pour ces fluides, les codes et directives appropriés existants doivent être observés en plus des réglementations standard.



AVERTISSEMENT !

Blessures physiques et dommages aux équipements et à l'environnement causés par un fluide dangereux

Lors du contact avec un fluide dangereux (par exemple oxygène, acétylène, substances inflammables ou toxiques) ou un fluide nocif (par exemple corrosif, toxique, cancérigène, radioactif), il y a un danger de blessures physiques et de dommages aux équipements et à l'environnement.

En cas de défaillance, des fluides dangereux sous pression élevée ou sous vide peuvent être présents au niveau de l'instrument.

- ▶ Pour ces fluides, les codes et directives appropriés existants doivent être observés en plus des réglementations standard.



AVERTISSEMENT !

Danger d'explosion vital

Durant le démontage, il existe un danger lié à l'échappement de fluides dangereusement chauds.

- ▶ Avant le démontage de l'instrument, le laisser refroidir suffisamment.



ATTENTION !

Dommages matériels dus à une décharge électrostatique (ESD)

Lors du travail sur des circuits ouverts (PCB), il existe un danger d'endommagement des composants électroniques sensibles à cause des décharges électrostatiques.

- ▶ L'utilisation correcte de surfaces de travail reliées à la terre et de brassards personnels est requise.
- ▶ Ne pas toucher les circuits imprimés et les composants électriques.
- ▶ Avant de retirer le couvercle en plastique, il faut toucher n'importe quelle partie du boîtier métallique mis à la terre ou un objet métallique voisin mis à la terre (par exemple radiateur, tuyauteries) (les charges statiques sont dissipées par le corps).
- ▶ Éviter tout contact entre l'électronique et les vêtements.



Sur les parties en contact avec le fluide, de petites quantités résiduelles du fluide de test (par exemple air comprimé, eau, huile) peuvent adhérer, provenant de la production. Avec les exigences accrues concernant la propreté technique, l'opérateur doit vérifier l'aptitude pour l'application avant la mise en service.

Utiliser uniquement des pièces d'origine ; voir chapitre 10 "Accessoires".

Vérifier que l'instrument n'est pas endommagé.

En cas de dommages, ne pas mettre l'instrument en service et contacter immédiatement le fabricant.

5. Mise en service et utilisation

5.1 Montage mécanique

5.1.1 Thermomètres multipoint

Ils sont d'habitude équipés d'un boîtier dans lequel sont installés des transmetteurs ou des platines de raccordement. Les transmetteurs/afficheurs numériques sont fixés mécaniquement (par exemple un système de rail dans un boîtier ou un support dans la tête de raccordement).

5.1.2 Capteurs à câble

Ils ne sont en général pas équipés d'un boîtier. Ils peuvent, cependant, être connectés dans un boîtier supplémentaire dans lequel un transmetteur ou des platines de raccordement sont installés.

5.1.3 Filetages parallèles

Si la tête de raccordement du thermomètre, l'extension, le doigt de gant/tube de protection ou le raccord process sont raccordés à l'aide de filetages parallèles (par exemple G 1/2, M20 x 1,5 ...), ces filetages doivent être protégés à l'aide de joints qui empêchent la pénétration de liquides dans le thermomètre.

Par défaut, WIKA utilise des joints d'étanchéité en cuivre pour la connexion entre l'extension et le doigt de gant/tube de protection, et un joint d'étanchéité plat en papier pour la connexion entre la tête de raccordement et l'extension ou le doigt de gant/tube de protection.

Si le thermomètre et le doigt de gant/tube de protection sont déjà connectés, les joints d'étanchéité seront déjà montés (s'ils ont été commandés). L'opérateur des installations doit vérifier si les joints conviennent pour les conditions de fonctionnement et les remplacer si nécessaire avec des joints d'étanchéité adéquats, voir chapitre 10 "Accessoires". Il faut remplacer les joints d'étanchéité après le démontage.

5.1.4 Filetages coniques

Avec des filetages NPT ou d'autres filetages coniques, il faut vérifier s'il est nécessaire de les isoler en plus avec de la bande PTFE ou du chanvre. Avant le montage, les filetages doivent être lubrifiés à l'aide d'un produit approprié.

5.2 Montage électrique

Si l'on utilise un transmetteur ou un afficheur (option) :

il faut observer le contenu de la notice d'utilisation ainsi que celle du transmetteur/affichage numérique, voir le détail de la livraison.

Passe-câbles

Conditions requises pour satisfaire à l'indice de protection :

- Utiliser les presse-étoupes uniquement dans leur zone de serrage indiquée (le diamètre de câble doit être adapté au presse-étoupe).
- En cas d'utilisation de câbles très mous, ne pas utiliser la zone de serrage inférieure.
- Utiliser de préférence des câbles ronds (si nécessaire, ayant une section transversale légèrement ovale).

5. Mise en service et utilisation

- Ne pas torsader le câble.
- Une ouverture/fermeture répétée est possible ; mais toutefois seulement si c'est nécessaire, car cela pourrait se produire au détriment de l'indice de protection
- Pour un câble avec un comportement de flux froid prononcé, le presse-étoupe doit être bien serré.

5.3 Raccordement électrique



AVERTISSEMENT ! Danger de court-circuit

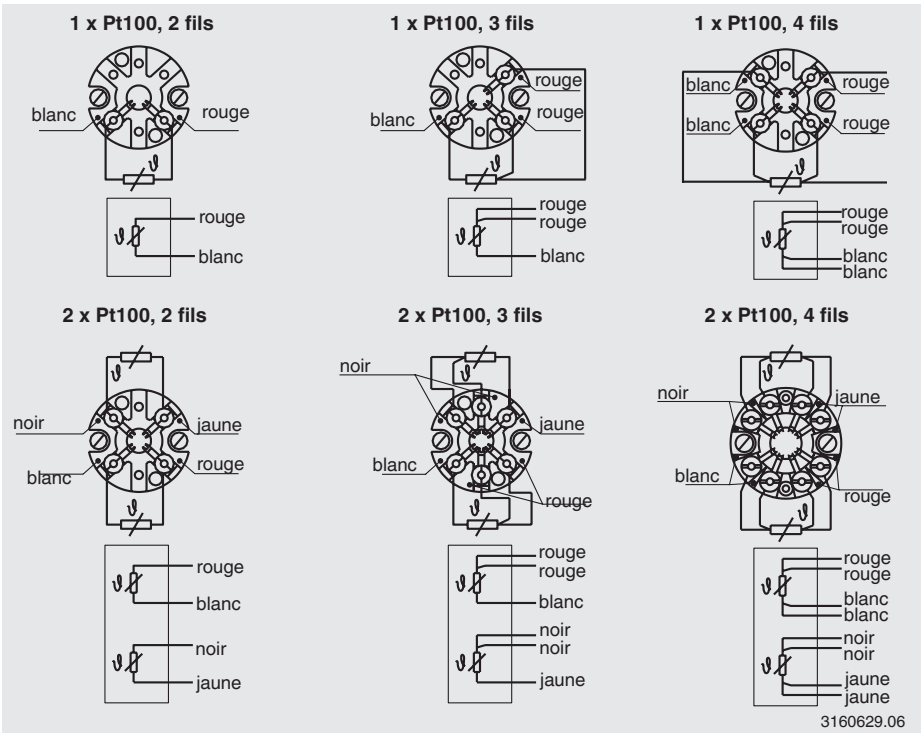
Des dommages aux câbles, fils et points de connexion peuvent conduire à un mauvais fonctionnement de l'instrument.

- ▶ Eviter d'endommager les câbles et les fils. Les liaisons souples dont l'extrémité est dénudée doivent être terminées par des embouts.

FR

5.3.1 Sondes à résistance

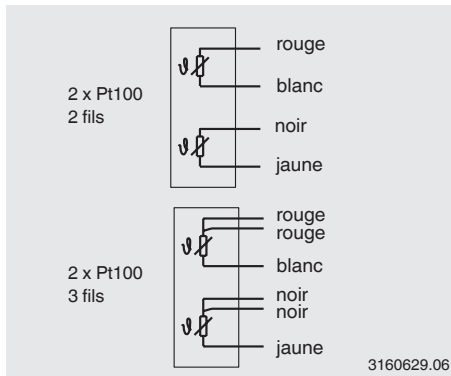
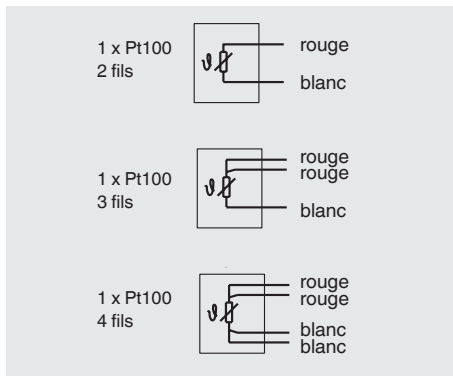
Bornier standard (code couleur en conformité avec CEI/EN 60751)



Configuration et code couleur pour Pt1000 comme pour Pt100
Pt1000 n'est disponible que comme élément simple

5. Mise en service et utilisation

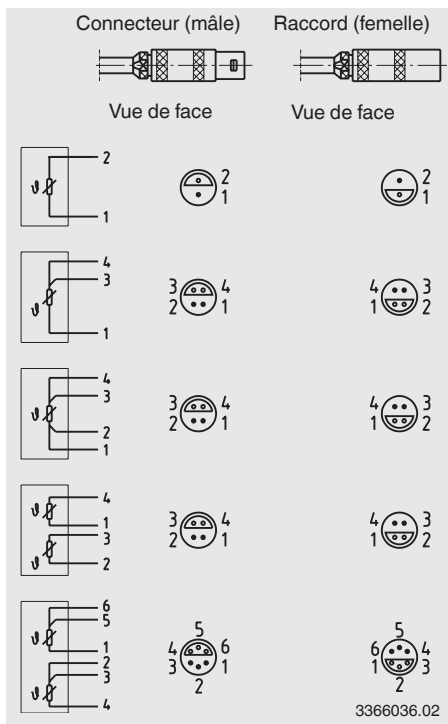
Sans connecteur



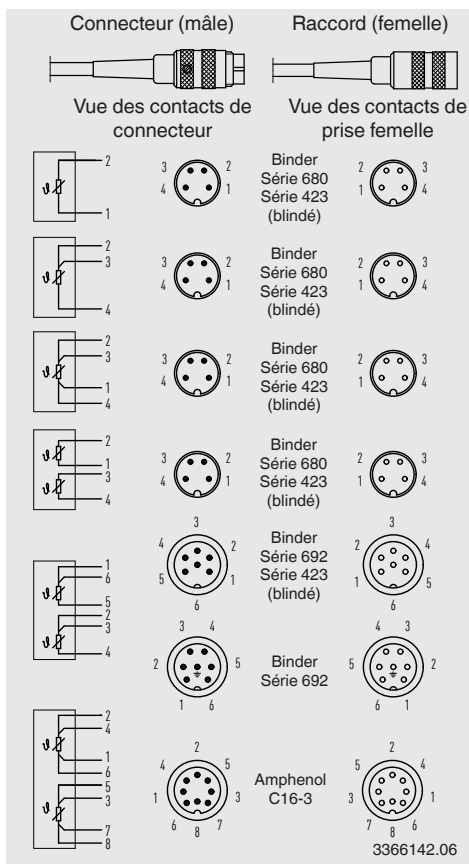
3160629.06

FR

Connecteur Lemosa



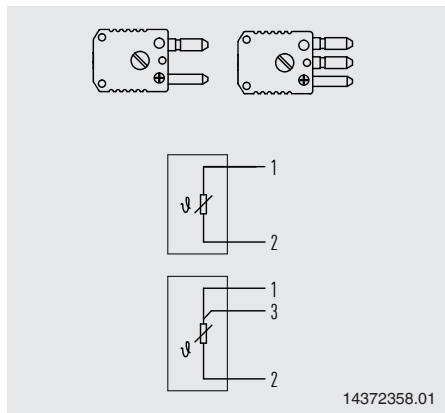
Connecteur à visser/à enficher (Amphenol, Binder)



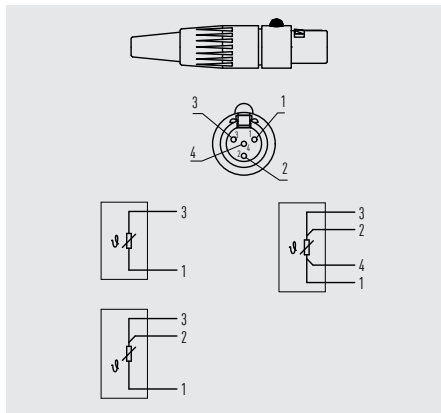
14150915.08 04/2024 EN/DE/FR/ES

5. Mise en service et utilisation

Connecteur thermocouple (RTD, mâle)

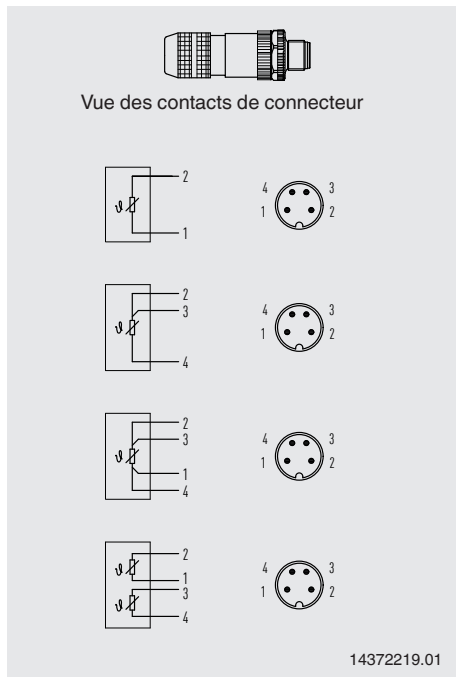


Mini-connecteur XLR (femelle)

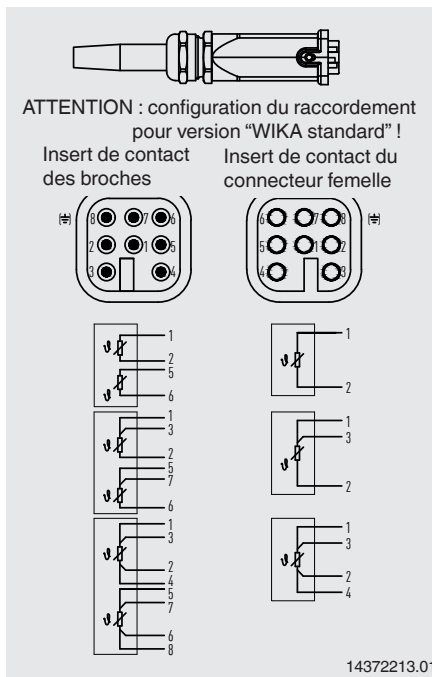


FR

Connecteur M12x1 à visser/à enficher (femelle)



Connecteur Harting



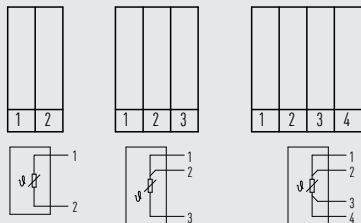
14150915.08 04/2024 EN/DE/FR/ES

5. Mise en service et utilisation

Blocs de bornes

1 x Pt100 ou Pt1000

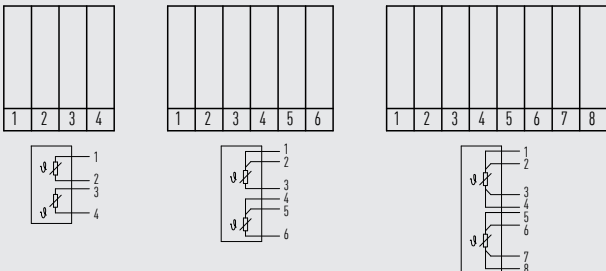
Raccordement à 2, 3 ou 4 fils



14382009.01

2 x Pt100

Raccordement à 2, 3 ou 4 fils

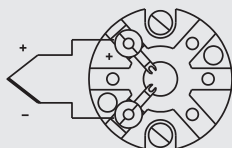


FR

5.3.2 Thermocouples

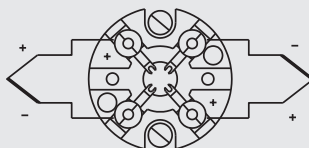
Avec platine de raccordement

Thermocouple unique



Le code couleur à la borne plus de l'appareil détermine la corrélation entre polarité et borne de raccordement

Double thermocouple



3166822.03

Code couleur des câbles

Type de capteur	Standard	Positif	Négatif
K	CEI 60584	Vert	Blanc
J	CEI 60584	Noir	Blanc
E	CEI 60584	Violet	Blanc
N	CEI 60584	Rose	Blanc

14150915.08 04/2024 EN/DE/FR/ES

5. Mise en service et utilisation

Avec câble ou connecteur

	Câble	Connecteur Lemosa, mâle sur le câble	Connecteur Binder mâle sur le câble (raccordement à visser/à enficher)
	<p>Pour le marquage des extrémités de câbles, voir tableau</p> <p>3171986.01</p>	<p>3374896.01</p>	<p>3374900.01a</p>
Thermocouple unique			
Double thermocouple			
Connecteur thermocouple		<p>Les bornes positives et négatives sont marquées. Deux connecteurs thermocouple sont utilisés avec des doubles thermocouples.</p>	

FR

5.4 Couples de serrage

Jonction entre câble et presse-étoupe

Visser le raccord tournant à fond dans l'adaptateur (utiliser des outils appropriés.)

5.4.1 Couples de serrage entre le presse-étoupe (en plastique) et la tête de raccordement

Jonction entre presse-étoupe et tête de raccordement

Filetages	Couples de serrage
M20 x 1,5	12 Nm
½ NPT	T.F.F.T 2 - 3 ¹⁾

1) Rotations après serrage à la main (T.F.F.T)

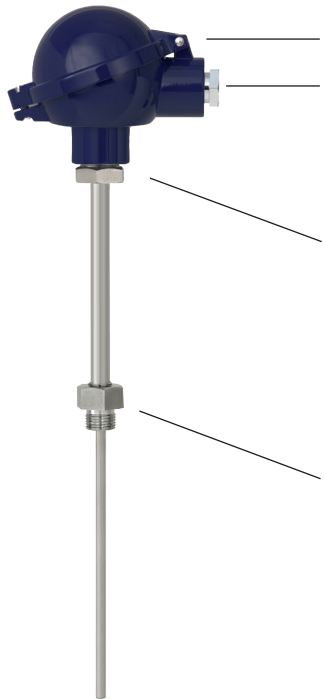
5.4.2 Couples de serrage pour raccords coulissants

Joint	Rotations ¹⁾	Pression maximale en bar
Ferrule en acier inox	1 ¼ ... 1 ½	100
Ferrule en acier inox à embout	1 ¼ ... 1 ½	100
Ferrule PTFE	1 ¼ ... 1 ½	8

1) Rotations après serrage à la main (T.F.F.T)

5. Mise en service et utilisation

5.4.3 Couples de serrage pour le thermomètre



Tête de raccordement
BS, BSZ, BSZ-H, BSS, BSS-H, BSZ-K, BSZ-HK, KN4-A)
La figure montre la tête de raccordement BSZ

Filetages	Couples de serrage	
	Métal	En plastique
M20 x 1,5	20 Nm	12 Nm
½ NPT	20 Nm	T. F. F. T 2-3 ¹⁾

1) Rotations après serrage à la main (T.F.F.T)

Couples de serrage entre la tête de raccordement et l'extension

Filetages	Couples de serrage	
	Matériau de la tête de raccordement	
	Aluminium	Acier inox
½ NPT	L'utilisateur ne doit pas débrancher le raccordement.	
M24 x 1,5 avec raccord tournant	27 Nm	30 Nm

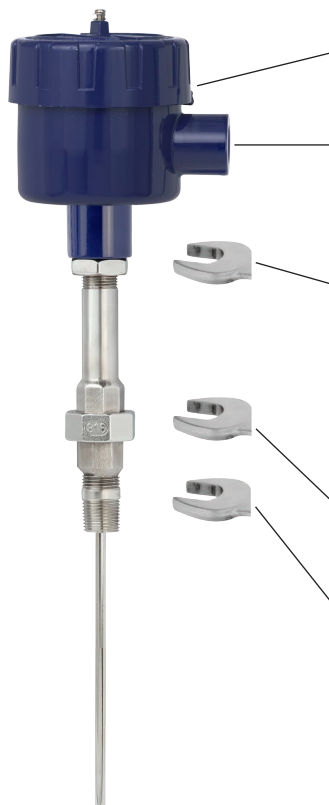
Couples de serrage pour le raccordement aux doigts de gant/
tubes de protection

Filetages	Couples de serrage
½ NPT	30 Nm
¾ NPT	40 Nm
G ½ B	35 Nm
G ¾ B	40 Nm
M14 x 1,5	27 Nm
M18 x 1,5	35 Nm
M20 x 1,5	37 Nm
M27 x 1,5	42 Nm

- Ne vissez ou ne dévissez l'instrument qu'avec les pans de la clé et avec le couple prescrit en utilisant un outil approprié.
- Le couple approprié dépend des dimensions du filetage de raccord et du joint utilisés (forme/matériau).
- Lorsque vous vissez ou dévissez l'instrument, n'utilisez pas la tête de raccordement en tant que surface de contact.
- Lors du vissage de l'instrument, veiller à ce que les filetages ne soient pas croisés.
- Les filetages NPT de la tête ne doivent pas être desserrés par le client. Un lubrifiant au PTFE/PFA est appliqué en usine au niveau des filetages NPT sur le doigt de gant/tube de protection. Il doit être renouvelé si les filetages sont desserrés par le client.

5. Mise en service et utilisation

5.4.4 Couples de serrage pour le thermomètre



(1/4000, 7/8000, PIH)

La figure montre la tête de raccordement 7/8000

Presse-étoupe (métal)

Filetages	Couples de serrage
½ NPT	20 Nm
¾ NPT	25 Nm
M20 x 1,5	20 Nm

Couples de serrage entre la tête de raccordement et l'extension

Filetages	Couples de serrage
½ NPT	L'utilisateur ne doit pas débrancher le raccordement.
¾ NPT	L'utilisateur ne doit pas débrancher le raccordement.
M20 x 1,5 avec contre-écrou	Après le desserrage du contre-écrou, le degré de protection IP ne peut plus être garanti.

Etat de livraison : serré à la main (environ 5 Nm)

Après l'alignement de la tête de raccordement, la connexion doit être fixée en appliquant un couple de 50 ... 60 Nm.

Couples de serrage pour le raccordement aux doigts de gant/tubes de protection

Filetages	Couples de serrage
½ NPT	30 Nm
¾ NPT	40 Nm
G ½ B	35 Nm
G ¾ B	40 Nm
M14 x 1,5	27 Nm
M18 x 1,5	35 Nm
M20 x 1,5	37 Nm
M27 x 1,5	42 Nm

- Ne vissez ou ne dévissez l'instrument qu'avec les pans de la clé et avec le couple prescrit en utilisant un outil approprié.
- Le couple approprié dépend des dimensions du filetage de raccord et du joint utilisés (forme/matériau).
- Lorsque vous vissez ou dévissez l'instrument, n'utilisez pas la tête de raccordement en tant que surface de contact.
- Lors du vissage de l'instrument, veiller à ce que les filetages ne soient pas croisés.
- Si les filetages M20 x 1,5 sont desserrés de la tête à l'aide d'un contre-écrou, le degré de protection IP ne peut plus être garanti. Les filetages NPT de la tête ne doivent pas être desserrés par le client. Un lubrifiant au PTFE/PFA est appliqué en usine au niveau des filetages NPT sur le doigt de gant/tube de protection. Il doit être renouvelé si les filetages sont desserrés par le client.
- Les filetages du raccord à visser séparables (écrou-raccord) n'ont pas besoin d'être traités avec un lubrifiant.

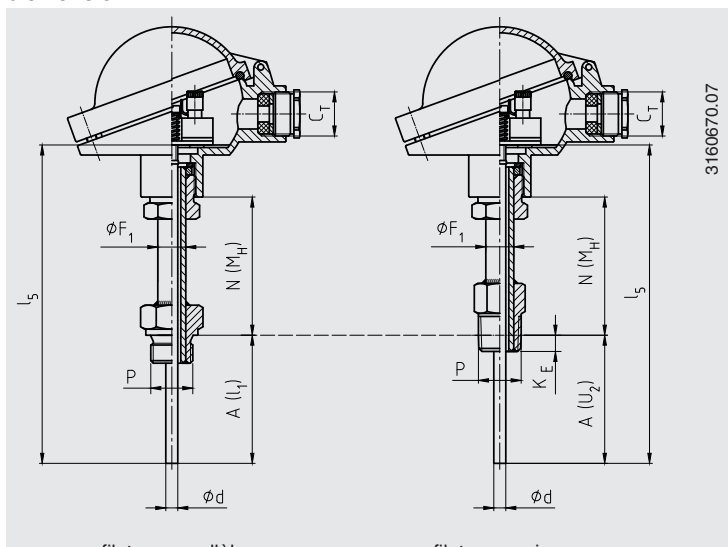
5. Mise en service et utilisation

5.5 Transmission de température depuis le process

Tout retour de chaleur en provenance du process qui dépasse la température de fonctionnement du transmetteur (afficheur numérique) ou du boîtier doit être empêché en installant une isolation adéquate contre la chaleur ou une extension suffisamment longue.

Accroître la distance entre les composants de connexion et les surfaces brûlantes

La longueur d'extension (N) est définie comme étant la distance entre le bord inférieur de la tête de raccordement ou du boîtier et la surface émettant de la chaleur. La température attendue au bord extérieur de la tête de raccordement ou du boîtier ne doit pas dépasser 80 °C [176 °F]. Il faut réfléchir sur les conditions régnant pour les transmetteurs ou les afficheurs intégrés, et, en cas de besoin, augmenter la longueur d'extension.



Pour aider à choisir la longueur d'extension minimale, on a déterminé les valeurs standard suivantes.

Température maximale du fluide	Recommandation pour la dimension N	Recommandation pour la dimension X
100 °C [212 °F]	-	-
135 °C [275 °F]	20 mm [0,79 po]	20 mm [0,79 po]
200 °C [392 °F]	50 mm [1,97 po]	50 mm [1,97 po]
> 200 °C [392 °F] ≤ 450 °C [842 °F]	100 mm [3,94 po]	100 mm [3,94 po]

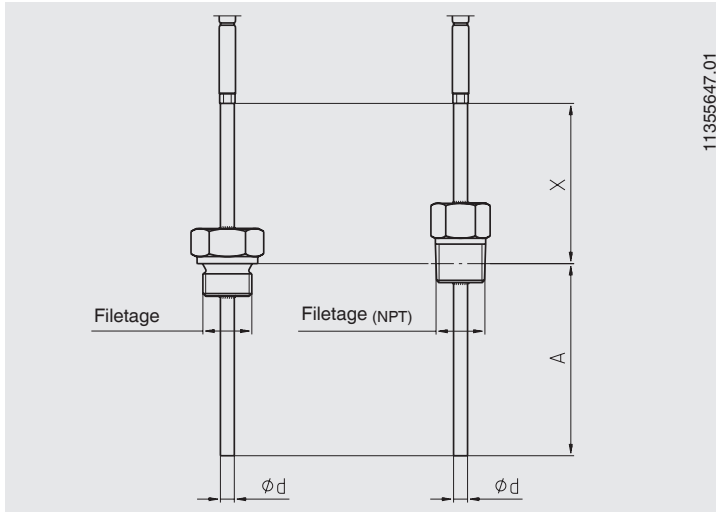
Pour les thermomètres équipés d'une ligne de raccordement, la température à l'interface avec le câble de connexion est limitée. Celle-ci est de 150 °C [302 °F] au maximum. Pour assurer que la température admissible ne soit pas dépassée, la dimension X doit être choisie en conséquence.

5. Mise en service et utilisation

Accroître la distance entre les composants de connexion et les surfaces brûlantes

La longueur X est définie comme étant la distance entre le point de transition depuis le câble et la surface émettant de la chaleur. La température attendue au point de transition ne doit pas dépasser 120 °C [248 °F].

- Si nécessaire, il faudra augmenter la longueur X.



FR

5.6 Notes supplémentaires pour les instruments avec EHEDG et 3-A

5.6.1 Accord avec la conformité 3-A

Pour une connexion marquée 3-A avec des raccords laitiers selon DIN 11851, des joints d'étanchéité adéquats doivent être utilisés (par exemple SKS Komponenten BV ou Kieselmann GmbH).

Remarque :

Pour conserver la certification 3-A, il faut utiliser l'un des raccords process homologués 3-A. Ceux-ci sont repérés par le logo sur la fiche technique.

FR

5.6.2 Accord avec la conformité EHEDG

Pour une connexion conforme EHEDG, il faut utiliser des joints d'étanchéité en accord avec le document de stratégie EHEDG actuel.

Fabricant de joints d'étanchéité

- Joint d'étanchéité pour des connexions selon DIN 32676 et BS 4825 partie 3 : par exemple Combifit International B.V.
- Joints d'étanchéité pour des connexions selon DIN 11851 : par exemple Kieselmann GmbH
- Joints d'étanchéité VARINLINE® : par exemple GEA Tuchenhausen GmbH

5.6.3 Instructions de montage

Observer les instructions suivantes, en particulier pour les instruments certifiés EHEDG et conformes 3-A.

- Pour la conformité à la certification EHEDG, il faut utiliser l'un des raccords process recommandés EHEDG. Ceux-ci sont repérés par le logo sur la fiche technique.
- Pour la conformité à la norme 3-A, il faut utiliser un raccord process conforme 3-A. Ceux-ci sont repérés par le logo sur la fiche technique.
- Monter le thermomètre électrique, y compris le doigt de gant/tube de protection, de manière à ce que l'espace mort soit minimal et qu'il puisse être facilement nettoyé.
- La position d'installation des thermomètres électriques, y compris le doigt de gant/tube de protection, le manchon à souder et la pièce en T de l'instrumentation, doit être conçue pour permettre une vidange naturelle.
- La position d'installation ne doit pas former un point de vidange ni de rétention d'eau.
- Avec le raccord process via une pièce d'instrumentation en T, la longueur L de la branche (connexion vers l'instrument de mesure) ne doit pas être plus longue que le diamètre intérieur D de la branche (la règle est : $L \leq D$).
- Pour les tubes de protection atteignant la branche, ce diamètre d sera soustrait du diamètre intérieur de la branche D (la règle est : $L \leq D - d$).

5.6.4 Processus de nettoyage par nettoyage en place (NEP)

- Employer seulement des détergents adaptés aux joints d'étanchéité utilisés.
- Les agents de nettoyage ne doivent pas être abrasifs ni corroder les matériaux des parties en contact avec le fluide.
- Eviter les chocs thermiques ou des changements brutaux de température. La différence de température entre l'agent de nettoyage et le rinçage à l'eau claire doit être aussi faible que possible. Exemple négatif : nettoyage à 80 °C [176 °F] et rinçage à 4 °C [39 °F] à l'eau froide.
- Pour des capteurs installés dans une cuve, les dispositifs de nettoyage de la cuve devront être positionnés de manière à ce que le capteur puisse être évalué et parfaitement nettoyé.

6. Dysfonctionnements

Personnel : personnel qualifié



DANGER !

Danger d'explosion vital

En cas de travail en atmosphère inflammable, il existe un risque d'explosion avec danger vital.

- ▶ Réaliser les travaux de dépannage uniquement dans des environnements non dangereux.

FR



AVERTISSEMENT !

Blessures physiques et dommages aux équipements et à l'environnement causés par un fluide dangereux

Lors du contact avec un fluide dangereux (par exemple oxygène, acétylène, substances inflammables ou toxiques) ou un fluide nocif (par exemple corrosif, toxique, cancérigène, radioactif), il y a un danger de blessures physiques et de dommages aux équipements et à l'environnement.

En cas de défaillance, des fluides dangereux avec des températures extrêmes (plus de 55 °C [131 °F]) peuvent être présents au niveau de l'instrument.

- ▶ Pour ces fluides, les codes et directives appropriés existants doivent être observés en plus des réglementations standard.



Si les défauts ne peuvent pas être éliminés au moyen des mesures listées, l'instrument doit être mis hors service immédiatement.

- ▶ Contacter le fabricant.
- ▶ Si un retour de l'instrument s'avère nécessaire, veuillez respecter les indications mentionnées au chapitre 8.2 "Retour".



Pour le détail des contacts, merci de consulter le chapitre 1 "Généralités" ou le dos du mode d'emploi.

6. Dysfonctionnements

Dysfonctionnements	Raisons	Mesures
Aucun signal/Rupture de câble	Charge mécanique trop élevée ou température excessive	Remplacer le capteur ou l'insert de mesure par un autre ayant une conception adaptée
Valeurs mesurées erronées	Dérive du capteur causée par une température excessive	Remplacer le capteur ou l'insert de mesure par un autre ayant une conception adaptée
	Dérive du capteur causée par une attaque chimique	<ul style="list-style-type: none"> ■ Analyse du fluide ■ Sélectionner un matériau plus adapté ou remplacer régulièrement le doigt de gant/tube de protection
Valeurs mesurées erronées (trop basses)	Pénétration d'humidité dans le câble ou l'élément de mesure	Remplacer le capteur ou l'insert de mesure par un autre ayant une conception adaptée
Valeurs mesurées erronées et temps de réponse trop longs	Géométrie de montage incorrecte, par exemple profondeur d'insertion trop faible ou dissipation thermique trop élevée	La zone thermosensible du capteur doit se trouver dans le fluide et les mesures de surface doivent être isolées
	Dépôts sur le capteur ou le doigt de gant/tube de protection	Éliminer les dépôts
Valeurs mesurées erronées (de thermocouples)	Tensions parasites (tensions thermo-électriques, tension galvanique) ou ligne de compensation non-adaptée	Utiliser une ligne de compensation adaptée
Affichage de sauts de valeur mesurée	Rupture de câble dans le câble de raccordement ou contact lâche causé par une surcharge mécanique	Remplacer le capteur ou l'insert de mesure par une version adaptée, par exemple équipée d'un ressort de protection contre les courbures ou d'une section de câble plus épaisse
Corrosion	La composition du fluide ne correspond pas à celle attendue, est modifiée, ou un matériau de doigt de gant/tube de protection non approprié a été sélectionné	<ul style="list-style-type: none"> ■ Analyser le fluide ■ Sélectionner un matériau plus adapté ou remplacer régulièrement le doigt de gant/tube de protection
Interférence du signal	Courants vagabonds provoqués par des champs électriques ou des boucles de terre	Utiliser des lignes de raccordement blindées et augmenter la distance par rapport aux moteurs et aux câbles d'alimentation
	Boucles de terre	Éliminer les différences de potentiel, utiliser des alimentations ou des transmetteurs isolés galvaniquement

FR

7. Entretien, nettoyage et étalonnage

7. Entretien, nettoyage et étalonnage

Personnel : personnel qualifié



Pour le détail des contacts, merci de consulter le chapitre 1 “Généralités” ou le dos du mode d’emploi.

FR

7.1 Entretien

Cet instrument ne requiert aucun entretien.

Les réparations ne doivent être effectuées que par le fabricant.

Utiliser uniquement des pièces d'origine ; voir chapitre 10 “Accessoires”.

7.2 Nettoyage



ATTENTION !

Blessures physiques et dommages aux équipements et à l'environnement

Les restes de fluides peuvent mettre en danger les personnes, l'environnement ainsi que l'installation.

- ▶ Porter l'équipement de protection requis.
- ▶ Effectuer le nettoyage conformément aux instructions du fabricant.



ATTENTION !

Dommages aux équipements dus à un nettoyage incorrect

Un nettoyage inapproprié peut conduire à l'endommagement de l'instrument.

- ▶ Ne pas utiliser de détergents agressifs.
- ▶ Ne pas utiliser d'objets pointus ou durs pour le nettoyage.
- ▶ Ne pas utiliser de chiffons abrasifs ou d'éponges abrasives.

1. En cas d'un nettoyage de l'extérieur (“Wash down”), respecter la température et l'indice de protection admissibles.
2. Laisser l'instrument refroidir à température ambiante avant de le nettoyer.
3. Nettoyer l'instrument avec un chiffon humide.
Éviter tout contact des raccords électriques avec l'humidité.
4. Laver ou nettoyer l'instrument démonté afin de protéger les personnes et l'environnement contre le danger lié aux résidus de fluides.

7. Entretien, nettoyage et étalonnage

7.3 Etalonnage

Il est recommandé d'étalonner l'instrument à intervalles réguliers (sonde à résistance : environ 24 mois, thermocouples : environ 12 mois). Cette période peut être réduite, en fonction de l'application particulière. L'étalonnage peut être effectué par le fabricant, ainsi que sur le site par du personnel technique qualifié avec des instruments d'étalonnage.

7.3.1 Instruments avec insert de mesure amovible

(types Tx10-B, Tx10-C, Tx10-D, Tx10-F, TR10-J, Tx10-L, Tx10-O, Tx12-B, Tx12-M, TR22-A, TR22-B, TR55, Tx81)

Pour l'étalonnage, l'insert de mesure est retiré du thermomètre.

La longueur minimum (partie métallique du capteur) pour effectuer un test de précision de mesure 3.1 ou DAkkS est de 100 mm [3,94 po].

7.3.2 Instruments avec inserts de mesure non amovibles ou capteurs de câble

(types Tx10-H, TR21-A, TR21-B, TR21-C, TR31, TR33, TR34, TR36, Tx40, TR41, Tx50, Tx53, TR75)

La longueur minimum (partie métallique du capteur ou longueur du capteur en-dessous du raccord process) pour effectuer un test de précision de mesure 3.1 ou DAkkS est de 100 mm [3,94 po].

7.3.3 Inserts de mesure

(types Tx10-A, Tx10-K, TR11-A, Tx12-A)

La longueur minimum pour effectuer un test de précision de mesure 3.1 ou DAkkS est de 100 mm [3,94 po].

7.3.4 Thermomètres multipoint

(types TC94, Tx95, TC96-O, TC96-R, TC96-M, TC97)

Les thermomètres individuels sont étalonnés avant l'installation finale.

7.3.5 Instruments affleurants et en ligne

(types TR20, TR25)

Le thermomètre est immergé dans un bain de liquide pour étalonnage.

7.3.6 Impossible à étalonner

(types TR60, Tx90)

Les versions standard de ces instruments ne peuvent pas être étalonnées.

8. Démontage, retour et mise au rebut

Personnel : personnel qualifié



AVERTISSEMENT !

Blessure physique

Lors du démontage, les fluides dangereux et les pressions élevées peuvent représenter un danger.

- ▶ Observer les informations de la fiche de données de sécurité du fluide correspondant.
- ▶ Ne déconnecter l'instrument de mesure de pression, l'installation de mesure ou de test et d'étalonnage qu'une fois le système hors pression et refroidi.
- ▶ Laver ou nettoyer l'instrument démonté (après l'opération) afin de protéger les personnes et l'environnement contre les dangers liés aux résidus de fluides.



AVERTISSEMENT !

Danger de brûlure

Durant le démontage, il existe un danger lié à l'échappement de fluides dangereusement chauds.

- ▶ Laisser l'instrument refroidir à température ambiante avant de le démonter.



AVERTISSEMENT !

Blessures physiques et dommages aux équipements et à l'environnement causés par un fluide dangereux

Lors du contact avec un fluide dangereux (par exemple oxygène, acétylène, substances inflammables ou toxiques) ou un fluide nocif (par exemple corrosif, toxique, cancérigène, radioactif), il y a un danger de blessures physiques et de dommages aux équipements et à l'environnement.

En cas de défaillance, des fluides dangereux peuvent adhérer à l'instrument ou s'en échapper.

- ▶ Pour ces fluides, les codes et directives appropriés existants doivent être observés en plus des réglementations standard.



AVERTISSEMENT !

Blessures physiques et dommages aux équipements et à l'environnement causés par un fluide dangereux

Lors du contact avec un fluide dangereux (par exemple oxygène, acétylène, substances inflammables ou toxiques) ou un fluide nocif (par exemple corrosif, toxique, cancérigène, radioactif), il y a un danger de blessures physiques et de dommages aux équipements et à l'environnement.

En cas de défaillance, des fluides dangereux avec des températures extrêmes (plus de 55 °C [131 °F]) peuvent être présents au niveau de l'instrument.

- Pour ces fluides, les codes et directives appropriés existants doivent être observés en plus des réglementations standard.



AVERTISSEMENT !

Blessures physiques et dommages aux équipements et à l'environnement causés par un fluide dangereux

Lors du contact avec un fluide dangereux (par exemple oxygène, acétylène, substances inflammables ou toxiques) ou un fluide nocif (par exemple corrosif, toxique, cancérigène, radioactif), il y a un danger de blessures physiques et de dommages aux équipements et à l'environnement.

En cas de défaillance, des fluides dangereux sous pression élevée ou sous vide peuvent être présents au niveau de l'instrument.

- Pour ces fluides, les codes et directives appropriés existants doivent être observés en plus des réglementations standard.

8.1 Démontage

Déconnecter le thermomètre seulement si le système a été mis hors pression !

8.2 Retour

En cas d'envoi de l'instrument, il faut respecter impérativement les points suivants :

- Tous les instruments livrés à WIKA doivent être exempts de substances dangereuses (acides, bases, solutions, etc.) et doivent donc être nettoyés avant d'être retournés, voir chapitre 7.2 "Nettoyage".
- Pour retourner l'instrument, utiliser l'emballage original ou un emballage adapté pour le transport.



Avec les substances dangereuses, inclure la fiche technique de sécurité de matériau pour le fluide correspondant.

8. Démontage, retour et mise au rebut

Pour éviter tout endommagement :

1. Placer l'instrument avec le matériau isolant dans l'emballage.
2. Mettre si possible un sachet absorbant d'humidité dans l'emballage.
3. Indiquer lors de l'envoi qu'il s'agit d'un instrument de mesure très sensible à transporter.



Des informations relatives à la procédure de retour sont disponibles sur notre site Internet (demande de retour) à la rubrique « Services ».

FR

8.3 Mise au rebut

Une mise au rebut inadéquate peut entraîner des dangers pour l'environnement. Éliminer les composants des instruments et les matériaux d'emballage conformément aux prescriptions nationales pour le traitement et l'élimination des déchets et aux lois de protection de l'environnement en vigueur.



Ne pas mettre au rebut avec les ordures ménagères. Assurer une mise au rebut correcte en conformité avec les réglementations nationales.

9. Spécifications

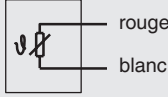
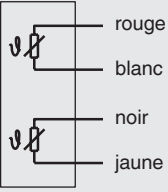
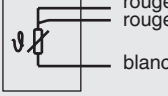
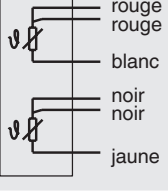
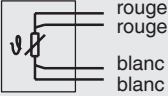
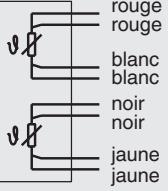
9. Spécifications

Elément de mesure de la sonde à résistance

Type d'élément de mesure Pt100, Pt1000

Mesure de courant 0,1 ... 1,0 mA

Type de raccordement

Eléments simples		Eléments doubles	
1 x 2 fils	 rouge blanc	2 x 2 fils	 rouge blanc noir jaune
1 x 3 fils	 rouge rouge blanc	2 x 3 fils	 rouge rouge blanc noir jaune
1 x 4 fils	 rouge rouge blanc blanc	2 x 4 fils ¹⁾	 rouge rouge blanc blanc noir noir jaune jaune

FR

Limites de validité de la classe de précision en conformité avec la norme CEI 60751

Classe B $\pm (0,30 + 0,0050 t)$ ²⁾	<ul style="list-style-type: none"> ■ -196 ... +600 °C [-321 ... +1.112 °F] ■ -196 ... +450 °C [-321 ... +842 °F] ■ -50 ... +500 °C [-58 ... +932 °F] ■ -50 ... +250 °C [-58 ... +482 °F]
Classe A ³⁾ $\pm (0,15 + 0,0020 t)$ ²⁾	<ul style="list-style-type: none"> ■ -100 ... +450 °C [-148 ... +842 °F] ■ -30 ... +300 °C [-22 ... +572 °F]
Classe AA ³⁾ $\pm (0,10 + 0,0017 t)$ ²⁾	<ul style="list-style-type: none"> ■ -50 ... +250 °C [-58 ... +482 °F] ■ 0 ... 150 °C [32 ... 302 °F]

- 1) Pas avec des diamètres de 3 mm [0,118 po] et 3,2 mm [1/8 po]
- 2) | t | est la valeur numérique de température en °C sans prendre en compte le signe.
- 3) Pas pour la méthode de raccordement à 2 fils

14150915.08 04/2024 EN/DE/FR/ES

9. Spécifications

Les combinaisons d'un raccordement à 2 fils de classe A ou classe AA ne sont pas autorisées, car la résistance de ligne du câble MIMS et de la ligne de raccordement annule la grande précision du capteur.

Longueur maximale du capteur, y compris le câble de raccordement :

- Classe B, raccordement à 3 fils : ~ 30 m [98 ft]
- Classe A, raccordement à 3 fils : ~ 10 m [33 ft]
- Classe AA, raccordement à 3 fils : ~ 3 m [10 ft]

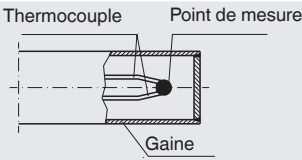
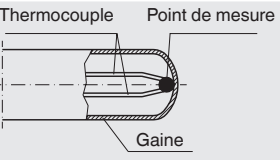
FR

Les longueurs de capteur ou de câble plus importantes doivent être conçues avec un raccordement à 4 fils, car cette méthode de raccordement n'a pas d'effet de longueur sur la précision.

→ Pour obtenir des spécifications détaillées sur les capteurs Pt100, voir l'information technique IN 00.17 sur www.wika.fr.

Le tableau indique les plages de température selon les normes en vigueur, pour lesquelles les valeurs de tolérance (incertitudes de mesure) sont valides.

Élément de mesure pour thermocouple

Type d'élément de mesure	Thermocouple selon CEI 60584-1 ou ASTM E230 Types K, J, E, N, T	
Exécution d'extrémité de capteur (point de mesure)	Non mis à la terre (point de mesure soudure isolée, standard)	Mise à la terre (point de mesure non isolé, version non isolée)
		

Limites de validité de la classe de précision selon CEI 60584-1

Type K	Classe 2	-40 ... +1.200 °C [-40 ... +2.192 °F]
	Classe 1	-40 ... +1.000 °C [-40 ... +1.832 °F]
Type J	Classe 2	-40 ... +750 °C [-40 ... +1.382 °F]
	Classe 1	-40 ... +750 °C [-40 ... +1.382 °F]
Type E	Classe 2	-40 ... +900 °C [-40 ... +1.652 °F]
	Classe 1	-40 ... +800 °C [-40 ... +1.472 °F]
Type N	Classe 2	-40 ... +1.200 °C [-40 ... +2.192 °F]
	Classe 1	-40 ... +1.000 °C [-40 ... +1.832 °F]

14150915.08 04/2024 EN/DE/FR/ES

9. Spécifications

Élément de mesure pour thermocouple		
Type T	Classe 2	-40 ... +350 °C [-40 ... +662 °F]
	Classe 1	-40 ... +350 °C [-40 ... +662 °F]
Limites de validité de la classe de précision selon ASTM-E230		
Type K	Standard	0 ... 1.260 °C [32 ... 2.300 °F]
	Spécial	0 ... 1.260 °C [32 ... 2.300 °F]
Type J	Standard	0 ... 760 °C [32 ... 1.400 °F]
	Spécial	0 ... 760 °C [32 ... 1.400 °F]
Type E	Standard	0 ... 870 °C [32 ... 1.598 °F]
	Spécial	0 ... 870 °C [32 ... 1.598 °F]
Type N	Standard	0 ... 1.260 °C [32 ... 2.300 °F]
	Spécial	0 ... 1.260 °C [32 ... 2.300 °F]
Type T	Standard	0 ... 370 °C [32 ... 698 °F]
	Spécial	0 ... 370 °C [32 ... 698 °F]

FR

Le tableau indique les plages de température selon les normes en vigueur, pour lesquelles les valeurs de tolérance (incertitudes de mesure) sont valides.

La température de fonctionnement réelle du thermomètre est limitée aussi bien par la température de fonctionnement maximale autorisée, par le diamètre du thermocouple et du câble à gaine que par la température de fonctionnement maximale admissible du matériau du doigt de gant/tube de protection.

Une température de jonction à froid de 0 °C [32 °F] est prise comme base avec la définition de la valeur de tolérance des thermocouples.

9. Spécifications

En raison du grand nombre de variantes, les spécifications sont étendues. C'est pourquoi, dans ce mode d'emploi, nous renvoyons aux fiches techniques correspondantes et aussi à la documentation de commande.

■ Sondes à résistance

Type	Fiche technique
TR10-0	TE 61.01
TR10-A	TE 60.01
TR10-B	TE 60.02
TR10-C	TE 60.03
TR10-D	TE 60.04
TR10-F	TE 60.06
TR10-H	TE 60.08
TR10-J	TE 60.10
TR10-K	TE 60.11
TR11-A	TE 60.13
TR11-C	TE 60.14
TR11-H	-
TR20	TE 60.20
TR22-A	TE 60.22
TR22-B	TE 60.23
TR25	TE 60.25
TR40	TE 60.40
TR41	TE 60.41
TR50	TE 60.50
TR53	TE 60.53
TR55	TE 60.55
TR60	TE 60.60
TR81	TE 60.81
TR95	TE 70.01

■ Thermocouples

Type	Fiche technique
TC10-0	TE 66.01
TC10-A	TE 65.01
TC10-B	TE 65.02
TC10-C	TE 65.03
TC10-D	TE 65.04
TC10-F	TE 65.06
TC10-H	TE 65.08
TC10-K	TE 65.11
TC40	TE 65.40
TC50	TE 65.50
TC53	TE 65.53
TC55	TE 65.55
TC81	TE 65.81
TC94	TE 70.13
TC95	TE 70.01
TC96-O	TE 70.11
TC96-R	TE 70.10
TC96-M	TE 70.14
TC97	TE 70.12

10. Accessoires

10. Accessoires



Les joints peuvent être commandés auprès de WIKA, en indiquant les filetages et le code article WIKA et/ou la désignation, voir tableau.

WIKA Code article	Désignation	Convient aux filetages
11349981	selon DIN 7603 forme C 14 x 18 x 2 -CuFA	G ¼, M14 x 1,5
11349990	selon DIN 7603 forme C 18 x 22 x 2 -CuFA	M18 x 1,5, G ¾
11350008	selon DIN 7603 forme C 21 x 26 x 2 -CuFA	G ½, M20 x 1,5
11350016	selon DIN 7603 forme C 27 x 32 x 2,5 -CuFA	G ¾, M27 x 2
11367416	selon DIN 7603 forme C 20 x 24 x 2 -CuFA	M20 x 1,5
1248278	selon DIN 7603 D21,2 x D25,9 x 1,5 -Al	G ½, M20 x 1,5
3153134	selon DIN 7603 forme C D14,2 x D17,9 x 2 -StFA	G ¼, M14 x 1,5
3361485	selon DIN 7603 forme C D33,3 x D38,9 x 2,5 -StFA	G 1

FR

Légende :

CuFA = Cuivre, max. 45HB^a ; rempli d'une matière isolante exempte d'amiante

Al = Aluminium Al99 ; F11, de 32 à 45 HB^b

StFA = Fer tendre, de 80 à 95 HB^a ; rempli d'une matière isolante exempte d'amiante

→ Les accessoires WIKA peuvent être trouvés en ligne sur www.wika.fr.

Contenido

1. Información general	112
2. Seguridad	114
3. Transporte, embalaje y almacenamiento	117
4. Diseño y función	118
5. Puesta en servicio y funcionamiento	120
6. Errores	134
7. Mantenimiento, limpieza y calibración	136
8. Desmontaje, devolución y eliminación de residuos	138
9. Datos técnicos	141
10. Accesorios	145

Las declaraciones de conformidad se pueden encontrar en www.wika.es.

1. Información general

Modelos en cuestión:

- ▶ Este manual de instrucciones es válido para una amplia gama de productos. Para obtener una lista exacta de estos modelos, consulte el capítulo 9 “Datos técnicos”.

1. Información general

- El instrumento descrito en el manual de instrucciones está construido y fabricado según el estado actual de la técnica. Todos los componentes están sometidos durante su fabricación a estrictos criterios de calidad y medioambientales. Nuestros sistemas de gestión están certificados según ISO 9001 e ISO 14001.
- Este manual de instrucciones proporciona indicaciones importantes acerca del manejo del instrumento. Para un trabajo seguro, es imprescindible cumplir con todas las instrucciones de seguridad y manejo indicadas.
- Cumplir siempre las normativas sobre la prevención de accidentes y las normas de seguridad en vigor en el lugar de utilización del instrumento.
- El manual de instrucciones es una parte integrante del instrumento y debe guardarse en la proximidad del mismo para que el personal especializado pueda consultarlo en cualquier momento. Entregar el manual de instrucciones al usuario o propietario siguiente del instrumento.
- El personal especializado debe haber leído y entendido el manual de instrucciones antes de comenzar cualquier trabajo.
- En caso de interpretación diferente de las instrucciones de uso traducidas y las inglesas, prevalecerá la redacción inglesa.
- En este documento se utiliza el masculino genérico para una mejor legibilidad. Se incluye explícitamente la identidad femenina y otras identidades de género.
- Si está disponible, la documentación suministrada por el proveedor también se considera parte del producto, además de estas instrucciones de uso.
- Se aplican las condiciones generales de venta incluidas en la documentación de venta.
- Modificaciones técnicas reservadas.
- Para obtener más información consultar:
 - Página web: www.wika.es / www.wika.com
 - Hoja técnica correspondiente: véase el capítulo 9 “Datos técnicos”
 - Contacto: Tel.: +34 933 938 630
info@wika.es

ES

1. Información general

1.1 Abreviaturas, definiciones

■	Símbolo de enumeración
▶	Instrucción
1. ... x.	Seguir las instrucciones paso a paso
⇒	Resultado de una instrucción
→	Ver ... referencias cruzadas
RTD	inglés: Resistance temperature detector; termorresistencia
TR	Termorresistencia
TC	Termopar
Cable MIMS	Cable encamisado en metal con aislamiento mineral

ES

1.2 Explicación de símbolos



¡ADVERTENCIA!

... señala una situación probablemente peligrosa que puede causar la muerte o lesiones graves si no se evita.



¡CUIDADO!

... señala una situación probablemente peligrosa que puede causar lesiones leves o medianas o daños materiales y al medio ambiente si no se evita.



¡PELIGRO!

... identifica los peligros causados por la corriente eléctrica. La no observancia de las instrucciones de seguridad puede resultar en lesiones graves o la muerte.



¡ADVERTENCIA!

... señala una situación de peligro que puede provocar quemaduras causadas por superficies o líquidos calientes si no se evita.



Información

... destaca consejos y recomendaciones útiles así como informaciones para una utilización eficiente y libre de errores.

2. Seguridad

2.1 Uso conforme a lo previsto

Los termómetros aquí descritos son aptos para la medición de temperatura en aplicaciones industriales.

En función de la versión, estos termómetros pueden instalarse directamente en el proceso o dentro de una vaina/tubo de protección. Los diseños de las vainas/tubos de protección pueden seleccionarse como se desee, pero deben tenerse en cuenta los datos operativos del proceso (temperatura, presión, densidad y caudal).

ES

No se permite ningún tipo de reparación ni modificación constructiva, ya que estas modificaciones provocan la cancelación de la garantía y del certificado correspondiente. Las modificaciones constructivas posteriores a la entrega de los instrumentos no son de responsabilidad del fabricante.

Las piezas soldadas, las conexiones a proceso, los accesorios de compresión, los termopozos / tubos de protección o las carcasas utilizadas deben diseñarse para hacer frente a todas las influencias derivadas del proceso, como temperatura, fuerza de caudal, presión, corrosión, vibraciones y impactos.

El usuario es responsable de la selección de los componentes, el termómetro o el termopozo / tubo de protección, así como de la selección de sus materiales, para garantizar su funcionamiento seguro dentro de la planta o máquina.

La idoneidad de los componentes debe ser probada por el usuario, por ejemplo, mediante un cálculo correspondiente o pruebas.

Durante la elaboración de la oferta, WIKA puede dar recomendaciones únicamente basadas en experiencias con aplicaciones similares.

El instrumento ha sido diseñado y construido únicamente para la finalidad aquí descrita y debe utilizarse en conformidad a la misma.

Observar las especificaciones técnicas de este manual de instrucciones, véase el capítulo 9 "Datos técnicos". Se supone que el instrumento se manipula correctamente y dentro de sus especificaciones técnicas.

No se admite ninguna reclamación debido a un manejo no adecuado.

2.2 Uso incorrecto

- Cualquier uso que no sea el previsto para este dispositivo es considerado como uso incorrecto.
- Abstenerse de realizar modificaciones no autorizadas del dispositivo.
- No utilizar este instrumento en sistemas de seguridad o instrumentos de parada de emergencia.

2. Seguridad

2.3 Cualificación del personal



Las actividades descritas en este manual de instrucciones deben realizarse únicamente por personal especializado con la consiguiente cualificación.

Personal especializado

Debido a su formación profesional, a sus conocimientos de la técnica de regulación y medición así como a su experiencia y su conocimiento de las normativas, normas y directivas vigentes en el país de utilización el personal especializado autorizado por el usuario es capaz de ejecutar los trabajos descritos y reconocer posibles peligros por sí solo.

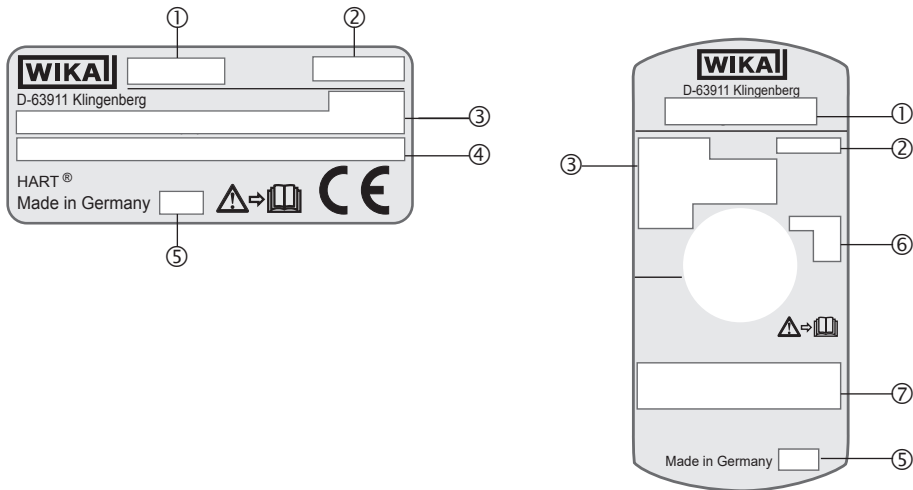
ES

2. Seguridad

2.4 Rótulos, marcajes de seguridad

El etiquetado, las marcas de seguridad deben mantenerse en un estado legible.

Placa de identificación (ejemplos)



- ① Modelo
- ② Número de serie
- ③ Datos de versión (elemento de medición, rango de medición...)


Sensor conforme a la norma (termorresistencia)


- FT = Sensor de película delgada, sensible

Sensor conforme a la norma (termopar)

- ④ Modelo de transmisor (sólo en la variante con transmisor)
- ⑤ Año de fabricación
- ⑥ Símbolo de sensor

- soldadura aislada (ungrounded)  = aislado de masa

- con conexión a tierra (grounded)  = soldado en la funda (conectado a tierra)

- en principio puesto a tierra  = El termómetro debe considerarse como puesto a tierra debido a distancias de aislamiento mínimas entre sensor y revestimiento.

- ⑦ Datos relacionados con la homologación (versión no Ex = sin información)

Símbolos



¡Antes de montar y utilizar el aparato, lea atentamente el manual de instrucciones!

3. Transporte, embalaje y almacenamiento

3. Transporte, embalaje y almacenamiento

3.1 Transporte



¡CUIDADO!

Daños debidos a un transporte inadecuado

En caso de transporte inadecuado pueden producirse daños materiales.

- ▶ Tener cuidado al descargar los paquetes durante la entrega o el transporte dentro de la compañía y respetar los símbolos en el embalaje.
- ▶ Para el transporte dentro de la compañía, seguir las instrucciones del capítulo 3.2 “Embalaje y almacenamiento”.

Comprobar si el instrumento presenta eventuales daños causados.

En caso de avería, no ponga en servicio el aparato y póngase inmediatamente en contacto con el fabricante.

Si se transporta el instrumento de un ambiente frío a uno caliente, puede producirse un error de funcionamiento en el mismo. Antes de la nueva puesta en servicio, espere a que se igualen la temperatura del aparato y la temperatura ambiente.

3.2 Embalaje y almacenamiento

No quitar el embalaje hasta justo antes del montaje.

Guardar el embalaje ya que es la protección ideal durante el transporte (por ejemplo si se cambia de lugar o si se envía el instrumento para posibles reparaciones).

Condiciones admisibles en el lugar de almacenamiento:

- Temperatura de almacenamiento sin transmisor incorporado -40 ... +80 °C [-40 ... +176 °F]
- Temperatura de almacenamiento con transmisor incorporado: véase el manual de instrucciones del transmisor correspondiente
- Humedad: 35 ... 85 % de humedad relativa (sin rocío)

ES

3. Transporte, embalaje y .../4. Diseño y función

Evitar lo siguiente:

- Luz solar directa o proximidad a objetos calientes
- Vibración mecánica, impacto mecánico (colocación brusca)
- Hollín, vapor, polvo y gases corrosivos
- Entornos potencialmente peligrosos, atmósferas inflamables

Almacenar el instrumento en su embalaje original en un lugar que cumpla las condiciones arriba mencionadas. Los instrumentos que ya han sido puestos en servicio deben limpiarse antes de su almacenamiento, véase el capítulo 7.2 "Limpieza".

Si no se dispone del embalaje original, empaquetar y almacenar el instrumento como sigue:

ES

1. Colocar el instrumento junto con el material aislante en el embalaje.
2. Para un almacenamiento prolongado (más de 30 días) meter una bolsa con un secante en el embalaje.

4. Diseño y función

4.1 Alcance del suministro

- Instrumento modelo xxx
- Manual de instrucciones
- Certificado de calibración solicitado
- Accesorios solicitados

Comparar mediante el albarán si se han entregado todas las piezas.

4.2 Descripción

Estas termorresistencias y los termopares sirven para medir la temperatura en aplicaciones industriales.

Este documento describe instrumentos estándar. Para aplicaciones en áreas clasificadas se requieren versiones especiales.

Para más información sobre la utilización en zonas potencialmente explosivas, véase la manual de instrucciones adicional para el tipo de protección correspondiente (documento independiente).

Los transmisores o indicadores digitales integrados en el termómetro tienen su propio manual de instrucciones.

Las termorresistencias modelo TRxx constan de una sección de sensor hecha de cable revestido con aislamiento mineral o tubo soldado. En ambas versiones, el sensor RTD sensible a la temperatura está integrado en la punta de la sonda.

4. Diseño y función

Conexiones del sensor

■ Conexión de 2 hilos

La resistencia del conductor al sensor entra como error en la medida. Por lo tanto no se recomienda este tipo de conexión con sensores RTD Pt100 para las clases de exactitud A y AA, ya que la resistencia eléctrica de los cables de conexión y sus efectos de temperatura entran en el resultado y falsifican el mismo.

■ Conexión de 3 hilos (versión estándar)

El efecto de la resistencia del cable se compensa en gran medida. La longitud máxima del cable de conexión depende de las opciones de compensación del módulo de evaluación (transmisor, indicación, regulador o sistema de control de proceso).

■ Conexión de 4 hilos

La influencia del cable de conexión en el resultado de la medición se elimina por completo, ya que también se compensan las posibles asimetrías en la resistencia del cable de conexión. La longitud máxima del cable de conexión depende de las opciones de compensación del módulo de evaluación (transmisor, indicación, regulador o sistema de control de proceso). Un conexionado de 4 hilos puede servir también como conexionado de 2 o 3 hilos, si no se conecta los hilos no necesarios.

→ Para más información sobre los métodos de conexión de los sensores, véase el capítulo 9 “Datos técnicos” y la información técnica IN 00.17

Los termopares modelo TCxx se componen de un cable encamisado con aislamiento mineral. El punto de medición sensible a la temperatura del termopar se encuentra en la punta de la sonda.

El punto de medición (punto de soldadura) está aislado del cable encamisado circundante (versión estándar).

Para aplicaciones específicas, el punto de medición se soldará a la base del cable encamisado.

→ Para más información sobre los tipos de conexión de los sensores, véase el capítulo 9 “Datos técnicos” y la información técnica IN 00.23.

ES

5. Puesta en servicio y funcionamiento

5. Puesta en servicio y funcionamiento

Personal: personal especializado



¡ADVERTENCIA!

Errores del instrumento de provocadas por una temperatura inferior o superior a la temperatura de servicio admisible.

La inobservancia de la temperatura de servicio admisible puede, ya durante el montaje, causar daños en el termómetro, también teniendo en cuenta la convección y la radiación térmica.

- ▶ Asegurarse de que la temperatura de servicio no sea superior o inferior al rango de temperatura de servicio especificado.

ES



¡ADVERTENCIA!

Lesiones corporales, daños materiales y del medio ambiente causados por medios peligrosos

En caso de contacto con medios peligrosos (p. ej. oxígeno, acetileno, inflamables o tóxicos) medios nocivos para la salud (p. ej. corrosivos, tóxicos, cancerígenas radioactivas) y con sistemas de refrigeración o compresores existe el peligro de lesiones corporales, daños materiales y del medio ambiente.

Si se produjera un fallo, podrían adherirse o salirse medios peligrosos del instrumento.

- ▶ En el tratamiento de estos medios se debe observar las reglas específicas además de las reglas generales.



¡ADVERTENCIA!

Lesiones corporales, daños materiales y del medio ambiente causados por medios peligrosos

En caso de contacto con medios peligrosos (p. ej. oxígeno, acetileno, inflamables o tóxicos) medios nocivos para la salud (p. ej. corrosivos, tóxicos, cancerígenas radioactivas) y con sistemas de refrigeración o compresores existe el peligro de lesiones corporales, daños materiales y del medio ambiente.

Si se produce un fallo, es posible que haya medios peligrosos con temperaturas extremas (más de 55 °C [131 °F]) en el instrumento.

- ▶ En el tratamiento de estos medios se debe observar las reglas específicas además de las reglas generales.



¡ADVERTENCIA!

Lesiones corporales, daños materiales y del medio ambiente causados por medios peligrosos

En caso de contacto con medios peligrosos (p. ej. oxígeno, acetileno, inflamables o tóxicos) medios nocivos para la salud (p. ej. corrosivas, tóxicas, cancerígenas radioactivas) y con sistemas de refrigeración o compresores existe el peligro de lesiones corporales, daños materiales y del medio ambiente.

En caso de fallo es posible que haya medios peligrosos con temperaturas extremas o de bajo presión o que haya un vacío en el instrumento.

- ▶ En el tratamiento de estos medios se debe observar las reglas específicas además de las reglas generales.



¡ADVERTENCIA!

Peligro de muerte por explosión

Peligro debido a medios muy calientes que se escapan durante el desmontaje.

- ▶ ¡Dejar enfriar el instrumento lo suficiente antes de desmontarlo.



¡CUIDADO!

Daños materiales por descarga electrostática (ESD)

Cuando se trabaja con circuitos abiertos (tarjeta de circuitos), existe el peligro de dañar los componentes electrónicos sensibles por descargas electrostáticas.

- ▶ Se requiere el uso adecuado de las plataformas con toma tierra y el uso de pulseras.
- ▶ No toque la placa de circuito impreso ni los componentes eléctricos.
- ▶ Antes de retirar la cubierta de plástico, toque cualquier parte de la carcasa metálica conectada a tierra o un objeto metálico adyacente conectado a tierra (por ejemplo, radiador, tuberías) (las cargas estáticas se disipan del cuerpo).
- ▶ Evite el contacto entre los componentes electrónicos y la ropa.



Pequeñas cantidades del medio de prueba (p. ej. aire comprimido, agua, aceite) pueden adherirse a las partes del equipo en contacto con el medio. En caso de que aumenten los requisitos técnicos de limpieza, el operador debe comprobar la idoneidad para la aplicación antes de la puesta en servicio.

Utilizar únicamente piezas originales, véase el capítulo 10 “Accesorios”.

Comprobar si el instrumento presenta eventuales daños causados.

En caso de avería, no ponga en servicio el aparato y comuníquese inmediatamente con el fabricante.

5. Puesta en servicio y funcionamiento

5.1 Montaje mecánico

5.1.1 Termómetros multipunto

Por regla general, éstos están equipados con una caja, en la cual están montados transmisores o bornes en fila.

Los transmisores/indicadores digitales se fijan mecánicamente (p. ej. sistema de carriles en la caja o soporte en el cabezal).

5.1.2 Sondas de cable

Por regla general, éstos no están equipados con una caja. Sin embargo, pueden conectarse en una caja adicional, en la cual están montados el transmisor o los bornes en fila.

ES

5.1.3 Roscas cilíndricas

Si el cabezal del termómetro, el tubo de cuello, la vaina/tubo de protección o la conexión a proceso están conectados con roscas paralelas (p. ej. G ½, M20 x 1,5 ...), hay que proteger las roscas con juntas que impidan la penetración de líquidos en el termómetro.

De forma estándar, WIKA utiliza juntas de cobre para la conexión entre el tubo de cuello y el termopozo/tubo de protección, y una junta plana de papel para la conexión del cabezal de conexión y el tubo de cuello o el termopozo/tubo de protección.

Termómetros y vainas/tubos de protección previamente montados, están dotados por defecto de estas juntas (si se han pedido). La empresa operadora de la instalación debe controlar la idoneidad de las juntas para las condiciones de uso y, debe sustituirlas por juntas adecuadas si fuera necesario, véase el capítulo 10 "Accesorios". Sustituir las juntas tras finalizar el desmontaje.

5.1.4 Roscas cónicas

Para roscas NPT u otras roscas cónicas, se debe comprobar la necesidad de un sellado adicional mediante cinta PTFE o cáñamo. Además se recomienda lubricar las roscas con sustancias adecuadas antes del montaje.

5.2 Montaje eléctrico

Uso de un transmisor/indicador digital (opcional):

Observar el manual de instrucciones del transmisor/indicador digital, ver de suministro.

Prensaestopas

Condiciones previas para conseguir el grado de protección:

- Utilizar el prensaestopa sólo en la zona indicada de los bornes (diámetro del cable en función de las dimensiones del prensaestopa).
- No utilice el área de sujeción inferior con tipos de cable muy blandos.
- Utilice preferiblemente cables redondos (si es necesario, de sección ligeramente ovalada).

5. Puesta en servicio y funcionamiento

- No torcer el cable.
- Es posible abrir y cerrar repetidamente; sin embargo solo si es necesario, ya que podría tener un efecto perjudicial en el grado de protección.
- En cables de elevada susceptibilidad a efectos causados por flujo en frío se debe reapretar el racord.

5.3 Conexión eléctrica



¡ADVERTENCIA!

Riesgo de cortocircuito

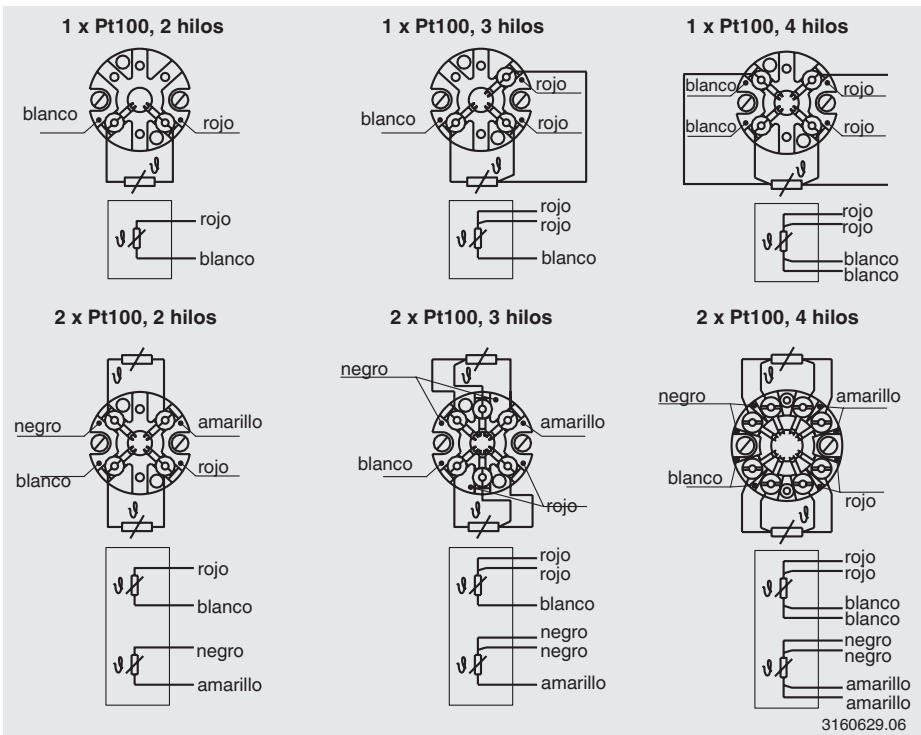
Daños en cables y puntos de unión pueden causar un mal funcionamiento del instrumento.

- ▶ Evitar daños en los cables. Equipar los extremos de los conductores con hilo fino de virolas de cables.

ES

5.3.1 Termorresistencias

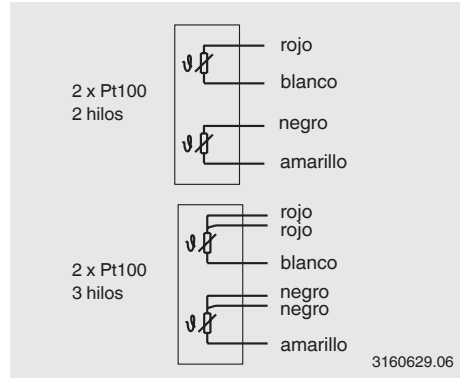
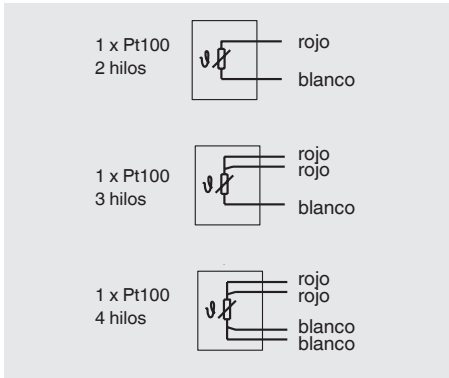
Zócalo estándar (código de color según IEC/EN 60751)



Asignación y código de color para Pt1000 y Pt100
Pt1000 solo disponible como elementos simples

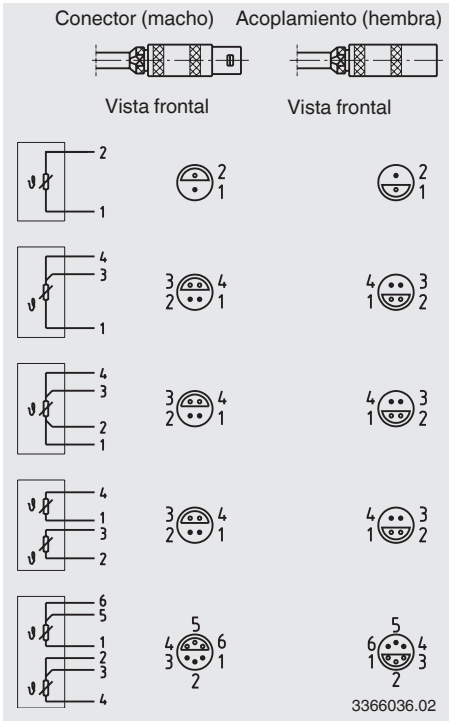
5. Puesta en servicio y funcionamiento

Sin acoplamiento de enchufe

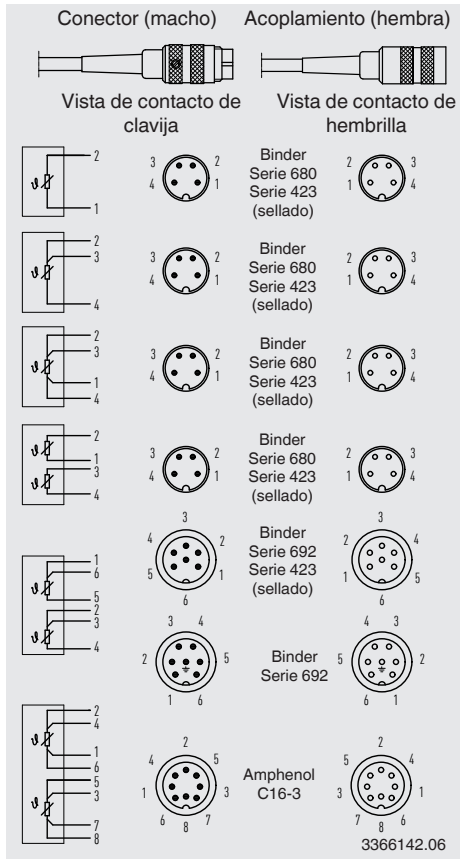


ES

Conector lemosa



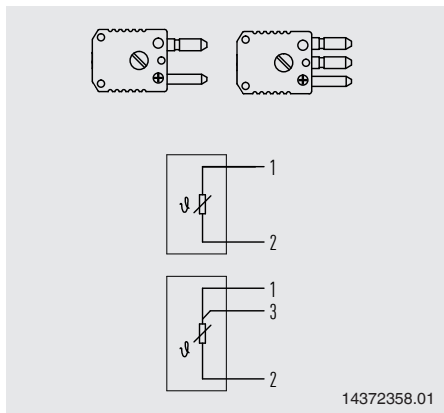
Conector atornillable y enchufable (Amphenol, Binder)



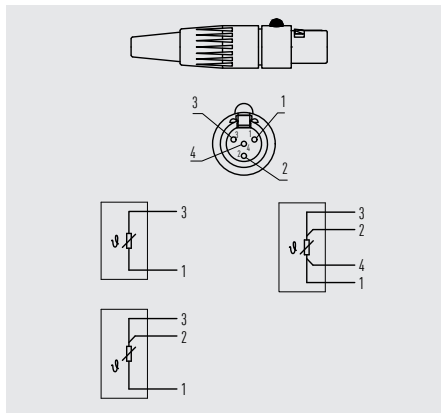
14150915.08 04/2024 EN/DE/FR/ES

5. Puesta en servicio y funcionamiento

Conector térmico (RTD, macho)

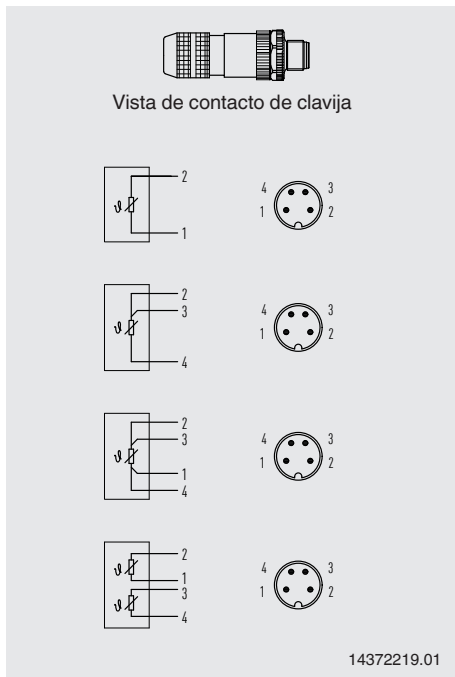


Mini-conector XLR (hembra)

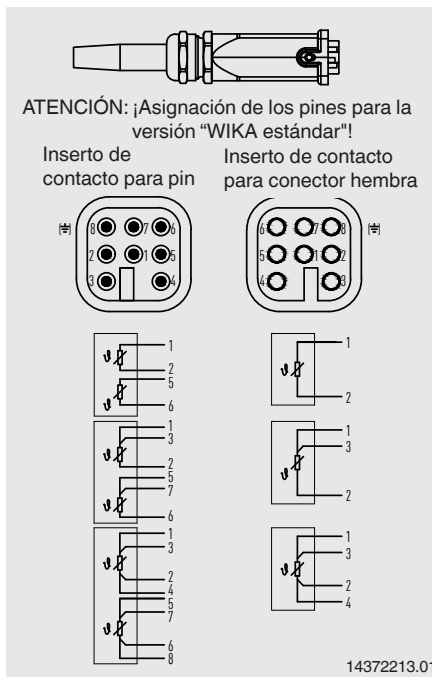


ES

Conector atornillable/enchufable M12x1 (hembra)



Conector Harting

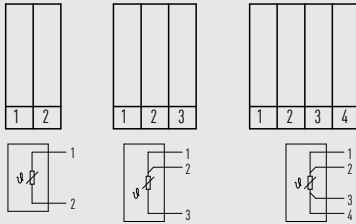


14150915.08 04/2024 EN/DE/FR/ES

5. Puesta en servicio y funcionamiento

Bloque de terminales

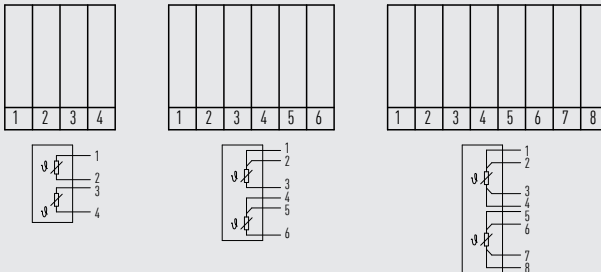
1 x Pt100 o Pt1000
Conexión de 2, 3 o 4 hilos



14382009.01

ES

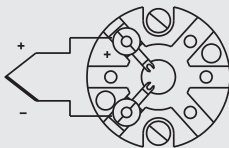
2 x Pt100
Conexión de 2, 3 o 4 hilos



5.3.2 Termopares

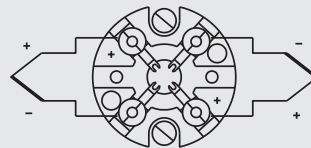
Con zócalo de conexión

Termopar individual



La marca de color en el polo positivo determina la correlación entre la polaridad y terminal.

Termopar doble





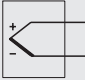
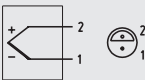
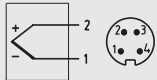
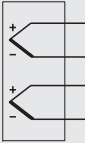
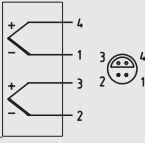
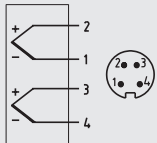
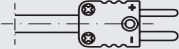
3166822.03

Codificación de color de las hebras de cable

Tipo de sensor	Estándar	Polo positivo	Polo negativo
K	IEC 60584	Verde	Blanca
J	IEC 60584	Negro	Blanca
E	IEC 60584	Violeta	Blanca
N	IEC 60584	Rosa	Blanca

5. Puesta en servicio y funcionamiento

Con cable o conector

	Cables	Conector lemosa, macho en el cable	Conector Binder, macho en el cable (conexión roscada/enchufable)
	Para identificación de los extremos de conductores, véase la tabla		
	3171986.01	3374896.01	3374890.01a
Termopar individual			
Termopar doble			
Conector térmico	El polo positivo y el polo negativo están identificados. En los termopares dobles se emplean dos conectores térmicos.		

ES

5.4 Pares de apriete

Conexión entre cable y prensaestopa

Enroscar firmemente la tuerca de apriete en el adaptador (utilice las herramientas adecuadas).

5.4.1 Pares de apriete entre prensaestopa (metal) y cabezal

Conexión entre prensaestopa y cabezal

Roscas	Pares de apriete
M20 x 1,5	12 Nm
½ NPT	T.F.F.T 2 - 3 ¹⁾

1) Giros de apriete con los dedos (T.F.F.T)

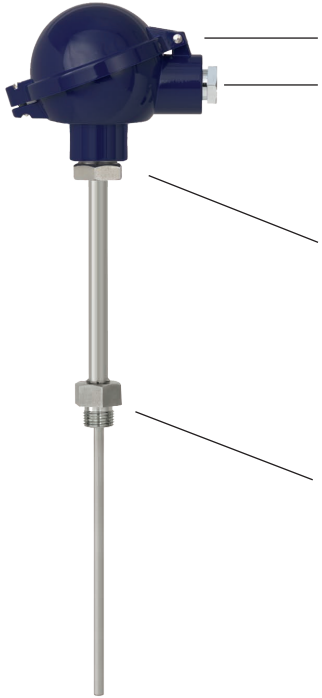
5.4.2 Pares de apriete para record deslizante

Junta	Vueltas ¹⁾	Presión máx. en bar
Anillo de compresión de acero inoxidable	1 ¼ ... 1 ½	100
Virola de acero inoxidable tipo mordedor	1 ¼ ... 1 ½	100
Anillo de compresión de PTFE	1 ¼ ... 1 ½	8

1) Giros de apriete con los dedos (T.F.F.T)

5. Puesta en servicio y funcionamiento

5.4.3 Pares de apriete para el termómetro



Cabezal BS, BSZ, BSZ-H, BSS, BSS-H, BSZ-K, BSZ-HK, KN4-A)

La figura muestra el cabezal BSZ

Roscas	Pares de apriete	
	Metal	Plástico
M20 x 1,5	20 Nm	12 Nm
½ NPT	20 Nm	T. F. F. T 2-3 ¹⁾

1) Giros de apriete con los dedos (T.F.F.T)

Pares de apriete entre cabezal y cuello

Roscas	Pares de apriete	
	Material del cabezal	
	Aluminio	Acero inoxidable
½ NPT	La conexión no debe ser desconectada por el usuario.	
Tuerca macho M24 x 1,5	27 Nm	30 Nm

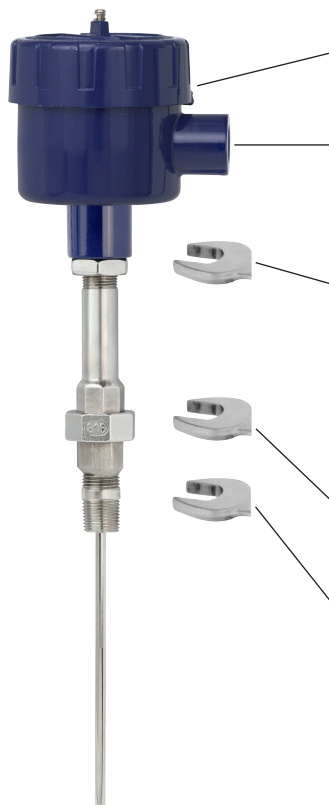
Pares de apriete para conexión a la vaina/tubo de protección

Roscas	Pares de apriete
½ NPT	30 Nm
¾ NPT	40 Nm
G ½ B	35 Nm
G ¾ B	40 Nm
M14 x 1,5	27 Nm
M18 x 1,5	35 Nm
M20 x 1,5	37 Nm
M27 x 1,5	42 Nm

- Roscar y desenroscar el instrumento únicamente en las zonas de agarre para la llave utilizando una herramienta adecuada y aplicando el par de giro especificado.
- El par de giro correcto depende de la dimensión de la rosca de conexión así como de la junta utilizada (forma/material).
- No utilizar el cabezal como superficie de contacto para enroscar o desenroscar.
- Al enroscar el instrumento, es necesario tener en cuenta que las roscas no se crucen.
- El cliente no debe aflojar las roscas NPT al cabezal. En la fábrica se aplica un lubricante PTFE/PFA en las roscas NPT a la vaina/tubo de protección. Debe renovarse si el cliente afloja las roscas.

5. Puesta en servicio y funcionamiento

5.4.4 Pares de apriete para el termómetro



(1/4000, 7/8000, PIH)

La figura muestra el cabezal 7/8000

Prensaestopa (metal)	
Roscas	Pares de apriete
½ NPT	20 Nm
¾ NPT	25 Nm
M20 x 1,5	20 Nm

Pares de apriete entre cabezal y cuello

Roscas	Pares de apriete
½ NPT	La conexión no debe ser desconectada por el usuario.
¾ NPT	La conexión no debe ser desconectada por el usuario.
M20 x 1,5 con contratuerca	Después de aflojar la contratuerca, ya no se puede garantizar el grado de protección IP.

Estado de entrega: apretado a mano (aprox. 5 Nm)

Después de alinear el cabezal, la conexión debe asegurarse con 50 ... 60 Nm.

Pares de apriete para conexión a la vaina/tubo de protección

Roscas	Pares de apriete
½ NPT	30 Nm
¾ NPT	40 Nm
G ½ B	35 Nm
G ¾ B	40 Nm
M14 x 1,5	27 Nm
M18 x 1,5	35 Nm
M20 x 1,5	37 Nm
M27 x 1,5	42 Nm

- Roscar y desenroscar el instrumento únicamente en las zonas de agarre para la llave utilizando una herramienta adecuada y aplicando el par de giro especificado.
- El par de giro correcto depende de la dimensión de la rosca de conexión así como de la junta utilizada (forma/material).
- No utilizar el cabezal como superficie de contacto para enroscar o desenroscar.
- Al enroscar el instrumento, es necesario tener en cuenta que las roscas no se crucen.
- Si se aflojan las roscas M20 x 1,5 a la cabeza con una contratuerca, ya no se puede garantizar el grado de protección IP. El cliente no debe aflojar las roscas NPT al cabezal. En la fábrica se aplica un lubricante PTFE/PFA en las roscas NPT a la vaina/tubo de protección. Debe renovarse si el cliente afloja las roscas.
- Las roscas de la unión atornillada separable (unión) no necesitan ser tratadas con lubricante.

5. Puesta en servicio y funcionamiento

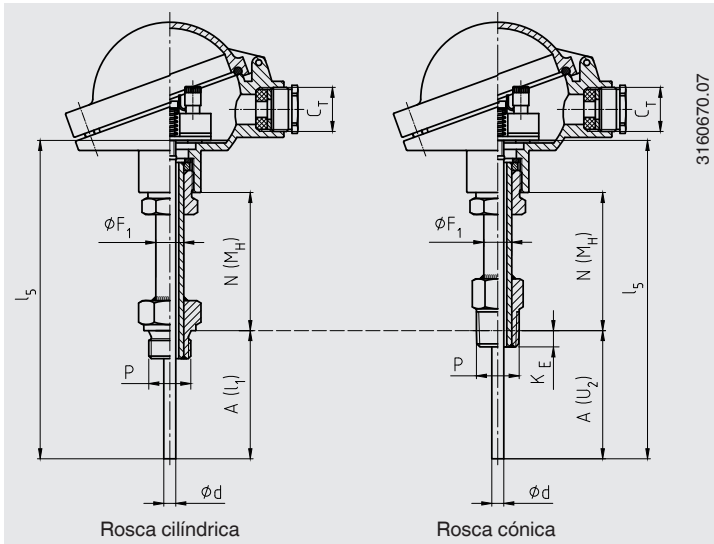
5.5 Transferencia de temperatura del proceso

No se permite un reflujo térmico del proceso que supere la temperatura de servicio del transmisor (indicador digital) o de la caja, y debe evitarse instalando un aislamiento térmico adecuado o un tubo de cuello respectivamente largo.

Aumento de la distancia de los componentes de conexión a las superficies calientes

La longitud de cuello (N) está definida como la distancia entre el borde inferior del cabezal de conexión o caja y la superficie de radiación térmica. La temperatura previsible en el borde inferior del cabezal o de la caja debe ser de un máximo de 80 °C [176 °F]. Deben tenerse en cuenta las condiciones para un transmisor incorporado o indicador; en caso necesario deberá aumentarse la longitud del cuello en forma correspondiente.

ES



Como ayuda para la selección de la longitud mínima del cuello se determinaron los siguientes valores de orientación.

Temperatura máxima del medio	Recomendación para la medida N	Recomendación para la medida X
100 °C [212 °F]	-	-
135 °C [275 °F]	20 mm [0,79 pulg]	20 mm [0,79 pulg]
200 °C [392 °F]	50 mm [1,97 pulg]	50 mm [1,97 pulg]
> 200 °C [392 °F] ... ≤ 450 °C [842 °F]	100 mm [3,94 pulg]	100 mm [3,94 pulg]

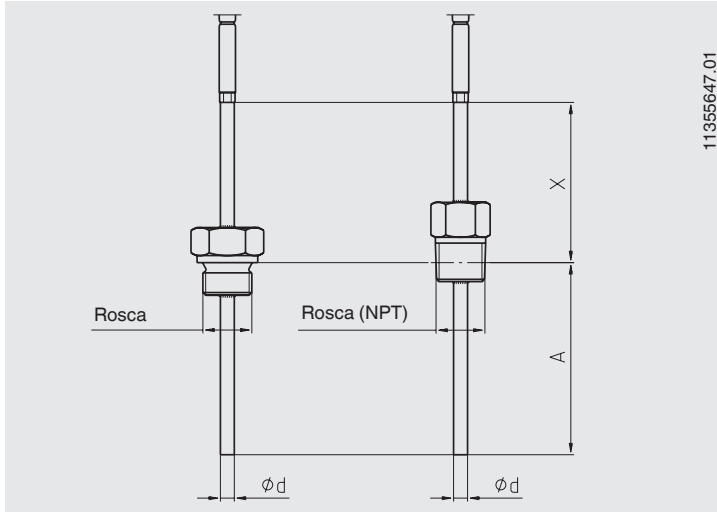
En termómetros con cable de conexión, la temperatura en el punto de transición al cable de conexión es limitada. Se trata de un máx. de 150 °C [302 °F]. Seleccionando la medida X puede asegurarse que no se supere la temperatura permitida.

5. Puesta en servicio y funcionamiento

Aumento de la distancia de los componentes de conexión a las superficies calientes

La longitud X está definida como la distancia entre el punto de transición en el cable y la superficie de radiación térmica. La temperatura prevista en el punto de transición debe ser de 120 °C [248 °F] como máximo.

- Si fuera necesario, aumentar la longitud X de manera correspondiente.



ES

5. Puesta en servicio y funcionamiento

5.6 Indicaciones adicionales para instrumentos con EHEDG y 3-A

5.6.1 Cumplimiento de la conformidad 3-A

Para una conexión marcada 3-A con uniones roscadas higiénicas según DIN 11851, deben utilizarse juntas de perfil apropiadas (p. ej. SKS Komponenten BV o Kieselmann GmbH).

Nota:

Para cumplir con la certificación 3-A, debe utilizarse una de las conexiones a proceso homologada para 3-A. Éstas están marcadas con un logotipo en la hoja técnica.

5.6.2 Cumplimiento de la conformidad EHEDG

Para una conexión conforme a EHEDG deben utilizarse juntas de acuerdo con el documento de la política vigente de EHEDG.

Fabricante de juntas

- Juntas para conexiones según DIN 32676 y BS 4825 parte 3: p. ej. Combifit International B.V.
- Juntas para conexiones según DIN 11851, p. ej. Kieselmann GmbH
- Juntas VARINLINE®: p. ej. GEA Tüchenhagen GmbH

5.6.3 Instrucciones de montaje

Siga las instrucciones seguidamente indicadas, especialmente para dispositivos certificados por EHEDG y conformes a 3-A.

- Para cumplir con la certificación EHEDG, se debe utilizar una conexión a proceso recomendada por EHEDG. Éstas están marcadas con un logotipo en la hoja técnica.
- Para cumplir la conformidad 3-A, debe utilizarse una conexión a proceso conforme a 3-A. Éstas están marcadas con un logotipo en la hoja técnica.
- Montar el termómetro eléctrico, incluido la vaina/tubo de protección, con un espacio muerto mínimo que permita la limpieza fácilmente.
- La posición de montaje del termómetro eléctrico, incluyendo la vaina/tubo de protección, el zócalo de soldadura y la pieza T de instrumentación, debe ser autodrenante.
- La posición de instalación no debe formar un punto de fuga o causar formación de sumidero.
- En la conexión a proceso a través de una pieza en T de instrumentación, la longitud L de la derivación (conexión al instrumento de medición) no debe ser mayor que el diámetro interior D de dicha derivación (regla: $L \leq D$).
- Para las vainas de tubo que llegan a derivación, este diámetro d se restará del diámetro interior de dicha derivación (regla: $L \leq D - d$).

5.6.4 Proceso de limpieza “Limpieza in situ” (CIP)

- Utilice únicamente agentes de limpieza adecuados para las juntas utilizadas.
- Los detergentes no deben ser abrasivos ni atacar corrosivamente los materiales en contacto con el medio.
- Evite choques de temperatura o cambios rápidos de temperatura. La diferencia de temperatura entre el detergente y el enjuague con agua debe ser lo más baja posible. Ejemplo negativo: limpieza a 80 °C [176 °F] y enjuague con agua fría a 4 °C [39 °F].
- En el caso de los sensores montados en el depósito, los dispositivos de limpieza del depósito se colocarán de forma que el sensor pueda ser inspeccionado y se limpie perfectamente.

6. Errores

Personal: personal especializado



¡PELIGRO!

Peligro de muerte por explosión

El uso en atmósferas fácilmente inflamables causa peligros de explosión que pueden causar la muerte.

- ▶ Realice los trabajos de localización de averías únicamente en entornos no peligrosos.

ES



¡ADVERTENCIA!

Lesiones corporales, daños materiales y del medio ambiente causados por medios peligrosos

En caso de contacto con medios peligrosos (p. ej. oxígeno, acetileno, inflamables o tóxicos) medios nocivos para la salud (p. ej. corrosivos, tóxicas, cancerígenas radioactivas) y con sistemas de refrigeración o compresores existe el peligro de lesiones corporales, daños materiales y del medio ambiente.

Si se produce un fallo, es posible que haya medios peligrosos con temperaturas extremas (más de 55 °C [131 °F]) en el instrumento.

- ▶ En el tratamiento de estos medios se debe observar las reglas específicas además de las reglas generales.



Si no se pueden solucionar los defectos mencionados se debe poner el dispositivo inmediatamente fuera de servicio.

- ▶ Contactar el fabricante.
- ▶ En caso de devolución, observar las indicaciones del capítulo 8.2 "Devolución".



Datos de contacto, ver capítulo 1 "Información general" o parte posterior del manual de instrucciones.

6. Errores

Errores	Causas	Medidas
Sin señal/rotura de cable	Carga mecánica excesiva o temperaturas extremas	Sustituir el sensor o la unidad extraíble por una versión adecuada
Valores de medición erróneos	Desviación por sobretemperatura	Sustituir el sensor o la unidad extraíble por una versión adecuada
	Desviación por ataque químico	<ul style="list-style-type: none"> ■ Analizar el medio ■ Seleccione un material más adecuado o sustituya periódicamente la vaina/tubo de protección
Valores de medición erróneos (demasiado bajos)	Humedad en el cable o en la unidad extraíble	Sustituir el sensor o la unidad extraíble por una versión adecuada
Valores de medición erróneos y tiempos de activación demasiado largos	Geometría de montaje equivocada, p. ej. profundidad de montaje demasiado reducida o disipación de calor demasiado elevada	La zona del sensor sensible a la temperatura debe situarse en el interior del medio y las superficies deben estar aisladas
	Depósitos en el sensor o en la vaina/en el tubo de protección	Eliminar los residuos
Valores de medición erróneos (termopares)	Tensión parásita (tensión termoeléctrica, tensión galvánica) o cable de compensación incorrecto	Utilizar un cable de compensación adecuado
La indicación del valor de medición salta	Rotura en el cable de conexión o contacto intermitente por sobrecarga mecánica	Sustituir el sensor o la unidad extraíble por una versión adecuada, p. ej. con resorte de protección contra el pandeo o sección de cable superior
Corrosión	La composición del medio no coincide con la composición esperada o se ha modificado o se ha seleccionado el material de vaina/tubo de protección incorrecto	<ul style="list-style-type: none"> ■ Analizar el medio ■ Seleccione un material más adecuado o sustituya periódicamente la vaina/tubo de protección
Señal perturbada	Interferencia por campos eléctricos o circuitos de conexión tierra	Utilizar cables de conexión blindados, aumentar la distancia hacia motores y líneas bajo tensión
	Bucles a tierra	Elimine las diferencias de potencial utilizando fuentes de alimentación o transmisores repetidores con aislamiento galvánico

ES

7. Mantenimiento, limpieza y calibración

7. Mantenimiento, limpieza y calibración

Personal: personal especializado



Datos de contacto, ver capítulo 1 “Información general” o parte posterior del manual de instrucciones.

7.1 Mantenimiento

Este instrumento no requiere mantenimiento.

Todas las reparaciones solamente las debe efectuar el fabricante.

Utilizar únicamente piezas originales, véase el capítulo 10 “Accesorios”.

7.2 Limpieza



¡CUIDADO!

Lesiones corporales, daños materiales y del medio ambiente

Los medios residuales en el instrumento pueden suponer un riesgo para las personas, el medio ambiente y el equipo.

- ▶ Utilizar el equipo de protección necesario.
- ▶ Realice el proceso de limpieza de acuerdo con las instrucciones del fabricante.



¡CUIDADO!

Daños materiales causados por una limpieza inadecuada

Una limpieza inadecuada puede dañar el dispositivo.

- ▶ No utilizar productos de limpieza agresivos.
- ▶ No utilizar objetos duros o puntiagudos para limpiar.
- ▶ No utilizar trapos o esponjas que podrían restregar.

1. Comprobar la temperatura y la protección ambiental admisible para la limpieza desde el exterior (“Wash Down”).
2. Deje que el instrumento se enfríe a temperatura ambiente antes de limpiarlo.
3. Limpiar el instrumento con un trapo húmedo.
No poner las conexiones eléctricas en contacto con la humedad.
4. Enjuagar y limpiar el dispositivo desmontado para proteger a las personas y el medio ambiente contra peligros por medios residuales adherentes.

7. Mantenimiento, limpieza y calibración

7.3 Calibración

Se recomienda calibrar el instrumento a intervalos regulares. (termorresistencias: aprox. 24 meses, termopares: aprox. 12 meses). Este período se acorta en función de las aplicaciones específicas. La calibración puede ser realizada por el fabricante o directamente in situ, con instrumentos de calibración manejados por personal técnico cualificado.

7.3.1 Instrumentos con unidad de medida extraíble

(modelos Tx10-B, Tx10-C, Tx10-D, Tx10-F, TR10-J, Tx10-L, Tx10-O, Tx12-B, Tx12-M, TR22-A, TR22-B, TR55, Tx81)

Para la calibración, se retira la unidad de medida extraíble de la sonda.

La longitud mínima (parte metálica de la sonda) para realizar una prueba de exactitud de medición 3.1 o DAkkS es de 100 mm [3,94 pulg].

7.3.2 Instrumentos con unidad de medida o sondas de cable no extraíble

(modelos Tx10-H, TR21-A, TR21-B, TR21-C, TR31, TR33, TR34, TR36, Tx40, TR41, Tx50, Tx53, TR75)

La longitud mínima (parte metálica de la sonda o longitud de la sonda debajo de la conexión a proceso) para realizar una prueba de exactitud de medición 3.1 o DAkkS es de 100 mm [3,94 pulg].

7.3.3 Insertos de medición

(modelos Tx10-A, Tx10-K, TR11-A, Tx12-A)

La longitud mínima para realizar una prueba de exactitud de medición 3.1 o DAkkS es de 100 mm [3,94 pulg.].

7.3.4 Termómetros multipunto

(modelos TC94, Tx95, TC96-O, TC96-R, TC96-M, TC97)

Las sondas individuales se calibran antes del montaje final.

7.3.5 Instrumentos aflorantes e in-line

(modelos TR20, TR25)

El termómetro se sumerge en un baño líquido para su calibración.

7.3.6 No puede ser calibrado

(modelos TR60, Tx90)

Las versiones estándar de estos instrumentos no pueden ser calibradas.

8. Desmontaje, devolución y eliminación de residuos

8. Desmontaje, devolución y eliminación de residuos

Personal: personal especializado



¡ADVERTENCIA!

Lesión corporal

Al desmontar existe el peligro debido a los medios peligrosos presiones.

- ▶ Observar la ficha de datos de seguridad correspondiente al medio.
- ▶ Desconecte el instrumento de medición de presión/econjunto de medición/instalaciones de prueba y calibración sólo cuando el sistema se haya despresurizado y enfriado.
- ▶ Enjuagar y limpiar el dispositivo desmontado (tras servicio) para proteger a las personas y el medio ambiente de la exposición a medios adherentes.

ES



¡ADVERTENCIA!

Riesgo de quemaduras

Peligro debido a medios muy calientes que se escapan durante el desmontaje.

- ▶ Deje que el instrumento se enfríe a temperatura ambiente antes de desmontarlo.



¡ADVERTENCIA!

Lesiones corporales, daños materiales y del medio ambiente causados por medios peligrosos

En caso de contacto con medios peligrosos (p. ej. oxígeno, acetileno, inflamables o tóxicos) medios nocivos para la salud (p. ej. corrosivos, tóxicas, cancerígenas radioactivas) y con sistemas de refrigeración o compresores existe el peligro de lesiones corporales, daños materiales y del medio ambiente.

Si se produjera un fallo, podrían adherirse o salirse medios peligrosos del instrumento.

- ▶ En el tratamiento de estos medios se debe observar las reglas específicas además de las reglas generales.



¡ADVERTENCIA!

Lesiones corporales, daños materiales y del medio ambiente causados por medios peligrosos

En caso de contacto con medios peligrosos (p. ej. oxígeno, acetileno, inflamables o tóxicos) medios nocivos para la salud (p. ej. corrosivos, tóxicas, cancerígenas radioactivas) y con sistemas de refrigeración o compresores existe el peligro de lesiones corporales, daños materiales y del medio ambiente.

Si se produce un fallo, es posible que haya medios peligrosos con temperaturas extremas (más de 55 °C [131 °F]) en el instrumento.

- ▶ En el tratamiento de estos medios se debe observar las reglas específicas además de las reglas generales.

8. Desmontaje, devolución y eliminación de residuos



¡ADVERTENCIA!

Lesiones corporales, daños materiales y del medio ambiente causados por medios peligrosos

En caso de contacto con medios peligrosos (p. ej. oxígeno, acetileno, inflamables o tóxicos) medios nocivos para la salud (p. ej. corrosivas, tóxicas, cancerígenas radioactivas) y con sistemas de refrigeración o compresores existe el peligro de lesiones corporales, daños materiales y del medio ambiente.

En caso de fallo es posible que haya medios peligrosos con temperaturas extremas o de bajo presión o que haya un vacío en el instrumento.

- ▶ En el tratamiento de estos medios se debe observar las reglas específicas además de las reglas generales.

ES

8.1 Desmontaje

Desmontar la sonda solo en estado despresurizado.

8.2 Devolución

Es imprescindible observar lo siguiente para el envío del instrumento:

- Todos los instrumentos enviados a WIKA deben estar libres de sustancias peligrosas (ácidos, lejías, soluciones, etc.) y, por lo tanto, deben limpiarse antes de devolverlos, véase el capítulo 7.2 “Limpieza”.
- Utilizar el embalaje original o un embalaje adecuado para la devolución del instrumento.



En caso de sustancias peligrosas adjuntar la ficha de datos de seguridad correspondiente al medio.

Para evitar daños:

1. Colocar el instrumento junto con el material aislante en el embalaje.
2. Si es posible, adjuntar una bolsa con secante.
3. Aplicar un marcaje que indique que se trata de un envío de un instrumento de medición altamente sensible.



Comentarios sobre el procedimiento de las devoluciones se encuentra en el apartado “Servicio” en nuestra página web local (solicitud de devolución).

8. Desmontaje, devolución y eliminación de residuos

8.3 Eliminación de residuos

Una eliminación incorrecta puede provocar peligros para el medio ambiente. Eliminar los componentes de los instrumentos y los materiales de embalaje conforme a los reglamentos relativos al tratamiento de residuos y eliminación vigentes en el país de utilización.



No eliminar en las basuras domésticas. Garantizar una eliminación correcta según las prescripciones nacionales.

ES

9. Datos técnicos

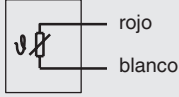
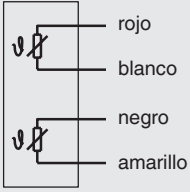
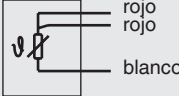
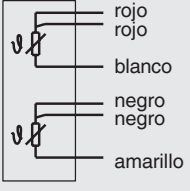
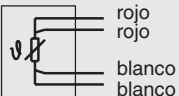
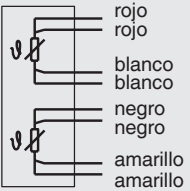
9. Datos técnicos

Elemento sensible del termómetro de resistencia

Tipo de elemento sensible Pt100, Pt1000

Corriente de medición 0,1 ... 1,0 mA

Tipo de conexionado

Elementos simples		Elementos dobles	
1 x 2 hilos		2 x 2 hilos	
1 x 3 hilos		2 x 3 hilos	
1 x 4 hilos		2 x 4 hilos ¹⁾	

Desviación de los límites de la clase de exactitud según IEC 60751

Clase B $\pm (0,30 + 0,0050 t)^2$	<ul style="list-style-type: none"> ■ -196 ... +600 °C [-321 ... +1.112 °F] ■ -196 ... +450 °C [-321 ... +842 °F] ■ -50 ... +500 °C [-58 ... +932 °F] ■ -50 ... +250 °C [-58 ... +482 °F]
Clase A ³⁾ $\pm (0,15 + 0,0020 t)^2$	<ul style="list-style-type: none"> ■ -100 ... +450 °C [-148 ... +842 °F] ■ -30 ... +300 °C [-22 ... +572 °F]
Clase AA ³⁾ $\pm (0,10 + 0,0017 t)^2$	<ul style="list-style-type: none"> ■ -50 ... +250 °C [-58 ... +482 °F] ■ 0 ... 150 °C [32 ... 302 °F]

- 1) No para diámetros de 3 mm [0,118 pulgadas] y ½ pulgadas [3,2 mm]
- 2) | t | es el valor numérico de la temperatura en °C sin considerar el signo
- 3) No con conexionado de 2 hilos

9. Datos técnicos

No están permitidas las combinaciones del tipo de conexionado de 2 hilos con la clase A/clase AA, dado que la resistencia del cable MIMS y del cable de conexión contrarresta la elevada exactitud del sensor.

Longitud máxima de la sonda incluido el cable de conexión:

- Clase B, conexión de 3 hilos: ~ 30 m [98 pies]
- Clase A, conexión de 3 hilos: ~ 10 m [33 pies]
- Clase AA, conexión de 3 hilos: ~ 3 m [10 pies]

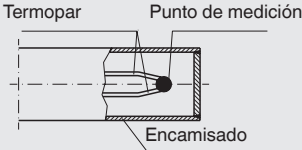
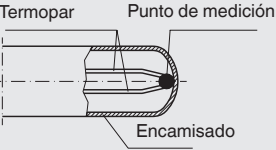
Las longitudes de sonda/cable mayores deben ser diseñadas con una conexión de 4 hilos, ya que en este método de conexión la longitud no afecta la precisión.

ES

→ Para consultar más detalles sobre las sondas Pt100 véase la información técnica IN 00.17 en www.wika.es.

La tabla muestra los rangos de temperatura en función de las respectivas normas en los que son válidas las desviaciones límite (precisiones de clase).

Elemento sensible del termopar

Tipo de elemento sensible	Termopar según IEC 60584-1 o ASTM E230 Modelos K, J, E, N, T	
Diseño de la punta de la sonda (punto de medición)	Sin conexión a tierra (punto de medición soldado aislado, estándar)	Conectado a tierra (punto de medición no aislado, soldado a la base)
	 <p>Termopar Punto de medición Encamisado</p>	 <p>Termopar Punto de medición Encamisado</p>

Desviación límite de la clase de exactitud según IEC 60584-1

Tipo K	Clase 2	-40 ... +1.200 °C [-40 ... +2.192 °F]
	Clase 1	-40 ... +1.000 °C [-40 ... +1.832 °F]
Tipo J	Clase 2	-40 ... +750 °C [-40 ... +1.382 °F]
	Clase 1	-40 ... +750 °C [-40 ... +1.382 °F]
Tipo E	Clase 2	-40 ... +900 °C [-40 ... +1.652 °F]
	Clase 1	-40 ... +800 °C [-40 ... +1.472 °F]
Tipo N	Clase 2	-40 ... +1.200 °C [-40 ... +2.192 °F]
	Clase 1	-40 ... +1.000 °C [-40 ... +1.832 °F]
Tipo T	Clase 2	-40 ... +350 °C [-40 ... +662 °F]
	Clase 1	-40 ... +350 °C [-40 ... +662 °F]

9. Datos técnicos

Elemento sensible del termopar

Desviación de los límites de la clase de exactitud según ASTM-E230

Tipo K	Estándar	0 ... 1.260 °C [32 ... 2.300 °F]
	Especial	0 ... 1.260 °C [32 ... 2.300 °F]
Tipo J	Estándar	0 ... 760 °C [32 ... 1.400 °F]
	Especial	0 ... 760 °C [32 ... 1.400 °F]
Tipo E	Estándar	0 ... 870 °C [32 ... 1.598 °F]
	Especial	0 ... 870 °C [32 ... 1.598 °F]
Tipo N	Estándar	0 ... 1.260 °C [32 ... 2.300 °F]
	Especial	0 ... 1.260 °C [32 ... 2.300 °F]
Tipo T	Estándar	0 ... 370 °C [32 ... 698 °F]
	Especial	0 ... 370 °C [32 ... 698 °F]

ES

La tabla muestra los rangos de temperatura en función de las respectivas normas en los que son válidas las desviaciones límite (precisiones de clase).

La temperatura efectiva de servicio del termómetro está limitada por las temperaturas máximas de utilización admisibles y los diámetros del termopar y del cable encamisado, así como por la temperatura máxima de servicio admisible del material de la vaina/tubo de protección.

La desviación límite del termopar se basa en una temperatura de punto de comparación de 0 °C [32 °F].

9. Datos técnicos

Debido a la gran variedad hay amplios datos técnicos. Por esto, en este manual de instrucciones, remitimos a las hojas técnicas correspondientes y a la documentación de pedido.

■ Termorresistencias

Modelo	Hoja técnica
TR10-0	TE 61.01
TR10-A	TE 60.01
TR10-B	TE 60.02
TR10-C	TE 60.03
TR10-D	TE 60.04
TR10-F	TE 60.06
TR10-H	TE 60.08
TR10-J	TE 60.10
TR10-K	TE 60.11
TR11-A	TE 60.13
TR11-C	TE 60.14
TR11-H	-
TR20	TE 60.20
TR22-A	TE 60.22
TR22-B	TE 60.23
TR25	TE 60.25
TR40	TE 60.40
TR41	TE 60.41
TR50	TE 60.50
TR53	TE 60.53
TR55	TE 60.55
TR60	TE 60.60
TR81	TE 60.81
TR95	TE 70.01

■ Termopares

Modelo	Hoja técnica
TC10-0	TE 66.01
TC10-A	TE 65.01
TC10-B	TE 65.02
TC10-C	TE 65.03
TC10-D	TE 65.04
TC10-F	TE 65.06
TC10-H	TE 65.08
TC10-K	TE 65.11
TC40	TE 65.40
TC50	TE 65.50
TC53	TE 65.53
TC55	TE 65.55
TC81	TE 65.81
TC94	TE 70.13
TC95	TE 70.01
TC96-O	TE 70.11
TC96-R	TE 70.10
TC96-M	TE 70.14
TC97	TE 70.12

ES

10. Accesorios

10. Accesorios



Las juntas pueden pedirse a WIKA indicando las roscas y el código de artículo y/o la denominación, véase la tabla.

WIKA Número de orden	Denominación	Adecuado para roscas
11349981	según DIN 7603 forma C 14 x 18 x 2 -CuFA	G ¼, M14 x 1,5
11349990	según DIN 7603 forma C 18 x 22 x 2 -CuFA	M18 x 1,5, G ¾
11350008	según DIN 7603 forma C 21 x 26 x 2 -CuFA	G ½, M20 x 1,5
11350016	según DIN 7603 forma C 27 x 32 x 2,5 -CuFA	G ¾, M27 x 2
11367416	según DIN 7603 forma C 20 x 24 x 2 -CuFA	M20 x 1,5
1248278	según DIN 7603 D21,2 x D25,9 x 1,5 -Al	G ½, M20 x 1,5
3153134	según DIN 7603 forma C D14,2 x D17,9 x 2 -StFA	G ¼, M14 x 1,5
3361485	según DIN 7603 forma C D33,3 x D38,9 x 2,5 -StFA	G 1

ES

Leyenda:

CuFA = Cobre, máx. 45HB^a; con un relleno de material de sellado libre de amianto

Al = Aluminio Al99; F11, 32 a 45 HBb

StFA = Hierro dulce, 80 a 95 HBa; con un relleno de material de sellado libre de amianto

→ Puede encontrar más información sobre los accesorios WIKA en www.wika.es.



WIKA subsidiaries worldwide can be found online at www.wika.com.
WIKA-Niederlassungen weltweit finden Sie online unter www.wika.de.
La liste des filiales WIKA dans le monde se trouve sur www.wika.fr.
La lista de las sucursales WIKA en el mundo puede consultarse en www.wika.es.



Importer for UK
WIKA Instruments Ltd
Unit 6 and 7 Goya Business park
The Moor Road
Sevenoaks
Kent
TN14 5GY



WIKA Alexander Wiegand SE & Co. KG
Alexander-Wiegand-Strasse 30
63911 Klingenberg • Germany
Tel. +49 9372 132-0
info@wika.de
www.wika.de